



CITY OF
SUMNER
WASHINGTON

**REQUEST FOR BIDS
WWTP INFLUENT SCREEN ACCESS PLATFORM AND HEADWORKS NPW PIPING
MODIFICATIONS**

**Bids are due by 11 AM, Thursday, February 2nd, 2023
Prevailing Wages Are Required To Be Paid**

Please examine the enclosed sample contract documents and contract specifications carefully so that you will be familiar with the requirements of the Small Public Works Contract.

PROJECT TITLE: WWTP Influent Screen Access Platform, CIP 21-04

Published: January 18, 2023

Description of Work

Furnish all materials and labor to construct and install the influent screen access platform as shown on the City of Sumner WWTP Influent Screen Access Platform and Headworks NPW Piping Modifications drawings prepared by Gray & Osborne, Inc. dated January 2023

All work shall be completed in conformance with the 2023 WSDOT *Standard Specifications for Road, Bridge and Municipal Construction*, and the City of Sumner *Development Specifications and Standard Details*.

Project Location

The work will occur at the City of Sumner Waste Water Treatment Facility located at 13114 63rd Street East, Sumner, WA 98390.

Site Visit

A pre-bid meeting will be held on Tuesday, January 24th, 2023, at 1:00 pm at the project site. Prospective bidders are encouraged to participate. Attendance of the pre-bid conference is voluntary and the City will not maintain a record of attendance.

Engineer's Estimate

The engineer's estimate range is \$72,000-\$83,000.

Addenda

Bidders are responsible to check the City of Sumner website at <http://sumnerwa.gov/> for the issuance of any addenda prior to submitting a bid.

Bid Submittal

Bids must be submitted on the enclosed Proposal and be completed in the itemized format for each item of work and material required to produce the finished product(s).

Bids must be emailed Drew McCarty, Engineering Assistant, at drewm@sumnerwa.gov **No later than the bid date and time listed above.**



CITY OF SUMNER WASHINGTON

A formal bid opening will not be held. Upon selection of a contractor, a summary of all bids received for this project will be sent to contractors submitting a proposal and will be made available on the City of Sumner website at <http://sumnerwa.gov/>.

Prevailing Wages

This project is subject to all provisions of RCW 39.12. A copy of the applicable prevailing wage schedule will be furnished upon request or can be obtained at Labor and Industries website at <http://www.lni.wa.gov/TradesLicensing/PrevWage/WageRates>.

No payment shall be issued until the City receives a “Statement of Intent to Pay Prevailing Wages” form, approved by the State Department of Labor and Industries from the Contractor and every Subcontractor performing work on the site.

No release of retainage will be made until 45 days after the City receives an “Affidavit of Wages Paid” from all contractors performing work on the site; receipt of releases from the Department of Revenue, Department of Labor & Industries, and the Employment Security Department; and settlement of any liens filed under Chapter 60.28 RCW, whichever is later.

Industrial Insurance (Workers Comp)

All Contractors and Subcontractors are required to pay industrial insurance for all employees involved in the performance of the work described herein. Failure to pay will be a breach and justify a demand on the contract bond. This obligation survives final acceptance. Industrial Insurance rates may be found on the web at <http://www.lni.wa.gov/ClaimsIns/Insurance/RatesRisk/default.asp>.

Insurance

Contractor shall procure and keep in force during the term of this contract Commercial General Liability insurance on an occurrence basis in an amount not less than \$2,000,000 per occurrence and at least \$2,000,000 in the annual aggregate, including but not limited to premises/operations (including off-site operations), blanket contractual liability and broad form property damage. Prior to the Contractor performing any work under this contract, Contractor shall provide the City with a Certificate of Insurance evidencing the insurance required and, by endorsement to Contractor’s liability policy(ies), naming the City of Sumner, its officers, employees and agents as Additional Insureds.

The Contractor agrees to repair and replace all property of the City and all property of others damaged by itself, its employees, and subcontractors, and agents.

It is understood that the whole of the work under this contract is to be done at the Contractor’s risk and that he has familiarized itself with the conditions of excavation, backfill, materials, climatic conditions, and other contingencies likely to affect the work and has made its bid accordingly and that he is to assume the responsibility and risk of all loss or damage to materials or work which may arise from any cause whatsoever prior to completion.

City of Sumner Business License

A current City of Sumner Business License is required from the Contractor and all Subcontractors prior to performing work in the City of Sumner. You may obtain an application by visiting our website at: <http://sumnerwa.gov/living/business/license/>



CITY OF SUMNER WASHINGTON

Bid Award

The contract for this project will be awarded to the lowest responsible bidder based on the quoted price; the bidder's ability, capacity and skill to perform the required work within the specified time; the quality of the bidder's performance of previous contracts or services; and the bidder's compliance with laws relating to the contracts or services.

The City of Sumner shall issue a contract to the successful bidder. Work may proceed when the following conditions have been met:

- The contract has been fully executed by both parties
- A Certificate of Insurance together with a CG2010 endorsement of equivalent has been found acceptable by the City Attorney
- A Contract Bond has been executed
- A Statement of Intent to Pay Prevailing Wages, approved by the State Department of Labor and Industries has been received from the Contractor and each Subcontractor actively working on the project.
- A City of Sumner Business License has been submitted by the contractor and each subcontractor providing labor within the City limits.

The City of Sumner reserves the right to reject any or all bids, waive technicalities or irregularities and to accept any bid if such action is believed to be in the best interest of the City.

Retainage

Pursuant to RCW 60.28, a sum of five percent (5%) of the monies earned by the Contractor will be retained.

No release of retainage will be made until 45 days after the City receives an "Affidavit of Wages Paid" from all contractors performing work on the site; receipt of releases from the Department of Revenue, Department of Labor & Industries, and the Employment Security Department; and settlement of any liens filed under Chapter 60.28 RCW, whichever is later.

Performance & Payment Bond

Pursuant to RCW 39.08.010, Payment and Performance Bond shall be required for this project. If the project is under \$150,000, the contractor may submit a letter on the contractors letterhead stating the contractor is electing to have 10% withheld in lieu of a Payment and Performance Bond (See the attached Contract Sample under XV BOND).

Payment Schedule

Payment shall be made according to the payment schedule contained in Exhibit A.

Time of Completion

Work shall start ten (10) calendar days after execution of the contract and the issuance of a Notice to Proceed. The work shall be substantially completed within one hundred ten (110) working days from the effective start date provided in the Notice to Proceed.



CITY OF
SUMNER
WASHINGTON

Contact Person

Drew McCarty, Engineering Assistant at drewm@sumnerwa.gov

Attachments

- Bid Submittal Sheet
- Certificate of Compliance
- Example “Public Works Small Works Roster Contract”
- Exhibit A – Bid Item Description
- Drawings set entitled “City of Sumner WWTP Influent Screen Access Platform and Headworks NPW Piping Modifications” prepared by Gray & Osborne, Inc. dated January 2023.



CITY OF
SUMNER
WASHINGTON

**BID SUBMITTAL SHEET
SMALL PUBLIC WORKS PROJECT**

**CIP 21-04 WWTF Influent Screen Access Platform and Headworks NPW Piping
Modifications**

Submitted by:

I certify under penalty of perjury under the laws of the State of Washington that I am the official authorized to submit this quote on behalf of:

FIRM NAME _____

Address _____

Phone Number _____ Fax Number _____

Authorized Official _____ Title _____
(Please Print Name)

Signature _____ Date _____

By my signature above, I acknowledge and agree to the conditions set forth in the Request for Bids.

Contractor's State License Number _____

Expiration Date _____

Contractor's State Tax Registration Number (UBI) _____

Federal Tax ID Number _____

City of Sumner Business License Number (not needed at bid time) _____

The bid items and descriptions shall be per "Proposal" attached with this document. The Proposal must be filled out in its entirety for the bid to be considered valid.

Addenda

By my signature above, I acknowledge that Addenda Numbers ____ through ____ have been received, examined, and taken into account as part of the Bid.

Bid Schedule CIP 21-04 – WWTF Influent Screen Access Platform and Headworks NPW Piping Modifications

Item No.	Item Description	Bid Quantity	Unit	Price Per Unit (Dollars)	Total Amount (Dollars)
1	Mobilization + Demobilization \$ _____ (Words) per Lump Sum	1	Lump Sum		
2	Access Platform \$ _____ (Words) per Lump Sum	1	Lump Sum		
3	Water Piping Revisions \$ _____ (Words) per Lump Sum	1	Lump Sum		
4	Minor Changes – Eq. Adj. \$ <u>Five Thousand and 00/100</u> (Words) per Eq. Adj.	1	Eq. Adj.	\$5,000	\$5,000

Bid Subtotal before WSST: _____

WSST 9.4% of Bid Subtotal _____

Total Bid inclusive of WSST _____



Certification of Compliance with Wage Payment Statutes

The bidder hereby certifies that, within the three-year period immediately preceding the bid solicitation date of _____, the bidder is not a “willful” violator, as defined in RCW 49.48.082, of any provision of chapters 49.46, 49.48, or 49.52 RCW, as determined by a final and binding citation and notice of assessment issued by the Department of Labor and Industries or through a civil judgment entered by a court of limited or general jurisdiction.

I certify under penalty of perjury under the laws of the State of Washington that the foregoing is true and correct.

Bidder’s Business Name

Signature of Authorized Official*

Printed Name

Title

Date

City

State

Check One:

Sole Proprietorship Partnership Joint Venture Corporation

State of Incorporation, or if not a corporation, State where business entity was formed:

If a co-partnership, give firm name under which business is transacted:

** If a corporation, proposal must be executed in the corporate name by the president or vice-president (or any other corporate officer accompanied by evidence of authority to sign). If a co-partnership, proposal must be executed by a partner.*

PUBLIC WORKS SMALL WORKS ROSTER CONTRACT

between City of Sumner and

[Insert Contractor's Company Name]

THIS CONTRACT is made and entered into this [Enter Day] day of [Enter Month], [Year], by and between the City of Sumner, a Washington municipal corporation (hereinafter the "City"), and [Insert Contractor's Co. Name] organized under the laws of the State of [Insert State Co. Formed Under], located and doing business at [Insert Contractor's Address, Phone Number, and Contact Person] (hereinafter the "Contractor").

CONTRACT

The parties agree as follows:

I. DESCRIPTION OF WORK.

Contractor shall perform the services for the City as specifically described in Exhibit "A" Scope and Schedule of Work, attached hereto and incorporated herein by reference.

[Insert a brief description of services contractor is providing. Attach as Exhibit A a detailed Scope and Schedule of Work. All attached exhibits should be clearly referenced and identified by title and date].

a. Contractor represents that the services furnished under this Contract will be performed in accordance with generally accepted professional practices within the Puget Sound region in effect at the time such services are performed.

b. The Contractor shall provide and furnish any and all labor, materials, tools, equipment and utility and transportation services along with all miscellaneous items necessary to perform this Contract except for the following items which will be furnished by the City:

[List and describe items to be furnished by the City]

c. All work shall be accomplished in a workmanlike manner in strict conformity with the attached plans and specifications including any and all Addenda issued by the City, City Regulations and Standards, other Contract Documents hereinafter enumerated. In addition, the work shall be in conformance with the following documents which are by reference incorporated herein and made part hereof:

- (i) the Standard Specifications of the Washington State Department of Transportation (WSDOT) (current edition);
- (ii) the American Public Works Association (APWA) (current edition);
- (iii) the Manual on Uniform Traffic Control Devices (MUTCD) for Streets and Highways (current edition);
- (iv) the Standard Plans for Road, Bridge and Municipal Construction (as prepared by the WSDOT/APWA current edition);

- (v) the American Water Works Association Standard (AWWA) (current edition), and;
- (vi) shall perform any changes in the work in accord with the Contract Documents.

d. Any inconsistency in the parts of the Contract and the documents referenced in section I c above shall be resolved by following this order of precedence (e.g., 1 presiding over 2, 2 over 3, 3 over 4, and so forth):

1. Terms and provisions of the Contract
2. Addenda,
3. Proposal Form,
4. Special Provisions, including APWA General Special Provisions, if they are included,
5. Contract Plans,
6. Amendments to the Standard Specifications,
7. WSDOT Standard Specifications for Road, Bridge and Municipal Construction,
8. Contracting Agency's Standard Plans (if any), and
9. WSDOT Standard Plans for Road, Bridge, and Municipal Construction.

II. TIME OF COMPLETION. The parties agree that work on the tasks described in Section I above and more specifically detailed in Exhibit A attached hereto will begin immediately upon execution of this Contract. Upon the effective date of this Contract, the Contractor shall complete the work described in Section I [Type either "within" or "by" depending on deadline in next form field] [Insert either a date specific or enter # of days, weeks, months, years, etc.]. If said work is not completed within the time specified, the Contractor agrees to pay the City the sum specified in Section VI - Liquidated Damages of this contract.

III. COMPENSATION. The City shall pay the Contractor a total amount not to exceed [Insert maximum dollar amount to be paid for services. You may type out the dollar amount and place the numerical dollar amount in parentheses or you may just enter the numerical dollar amount.], plus any applicable Washington State Sales Tax, for the work and services contemplated in this Contract. If the work and services to be performed as specified in Exhibit A "Scope and Schedule of Work" is for street, place, road, highway, etc. as defined in WAC 458-20-171, then the applicable Washington State Retail Sales Tax on this contract shall be governed by WAC 458-20-171 and its related rules for the work contemplated in this Contract. The Contractor shall invoice the City monthly. The City shall pay to the Contractor, as full consideration for the performance of the Contract, an amount equal to the unit and lump sum prices set forth in the bid. The Contractor will submit requests for Progress payments on a monthly basis and the City will make progress payment within 45 days after receipt of the Contractor's request until the work is complete and accepted by the City. Any payment by the City shall not constitute a waiver of the City's right to final inspection and acceptance of the project.

- A. Retainage. The City shall hold back a retainage in the amount of five percent (5%) of any and all payments made to contractor for a period of sixty (60) days after the date of final acceptance, or until receipt of all necessary releases from the State Department of Revenue and the State Department of Labor and Industries and until settlement of any liens filed under Chapter 60.28 RCW. If Contractor plans to submit a bond in lieu of the retainage specified above, the bond must be in a form acceptable to the City and submitted within 30 days upon entering into this Contract, through a bonding company meeting standards established by the City.

- B. Defective or Unauthorized Work. The City reserves its right to withhold payment from Contractor for any defective or unauthorized work. Defective or unauthorized work includes, without limitation: work and materials that do not conform to the requirements of this Contract; and extra work and materials furnished without the City's written approval. If Contractor is unable, for any reason, to satisfactorily complete any portion of the work, the City may complete the work by contract or otherwise, and Contractor shall be liable to the City for any additional costs incurred by the City. "Additional costs" shall mean all reasonable costs, including legal costs and attorney fees, incurred by the City beyond the maximum Contract price specified above. The City further reserves its right to deduct the cost to complete the Contract work, including any Additional Costs, from any and all amounts due or to become due the Contractor. Notwithstanding the terms of this section, the City's payment to contractor for work performed shall not be a waiver of any claims the City may have against Contractor for defective or unauthorized work.
- C. Final Payment: Waiver of Claims. THE CONTRACTOR'S ACCEPTANCE OF FINAL PAYMENT (EXCLUDING WITHHELD RETAINAGE) SHALL CONSTITUTE A WAIVER OF CONTRACTOR'S CLAIMS, EXCEPT THOSE PREVIOUSLY, TIMELY AND PROPERLY MADE AND IDENTIFIED BY CONTRACTOR AS UNSETTLED AT THE TIME FINAL PAYMENT IS MADE AND ACCEPTED.

IV. INDEPENDENT CONTRACTOR. The parties understand and agree that Contractor is a firm skilled in matters pertaining to construction and will perform independent functions and responsibilities in the area of its particular field of expertise. Contractor and its personnel, subcontractors, agents and assigns, shall act as independent contractors and not employees of the City. As such, they have no authority to bind the City or control employees of the City, contractors, or other entities. The City's Public Works Director or his or her designated representative shall have authority to ensure that the terms of the Contract are performed in the appropriate manner.

The Contractor acknowledges that all mandatory deductions, charges and taxes imposed by any and all federal, state, and local laws and regulations shall be the sole responsibility of the Contractor. The Contractor represents and warrants that all such deductions, charges and taxes imposed by law and/or regulations upon the Contractor are, and will remain, current. If the City is assessed, liable or responsible in any manner for those deductions, charges or taxes, the Contractor agrees to indemnify and hold the City harmless from those costs, including attorney's fees.

V. TERMINATION. The City may terminate this Contract for good cause. "Good cause" shall include, without limitation, any one or more of the following events:

- A. The Contractor's refusal or failure to supply a sufficient number of properly skilled workers or proper materials for completion of the Contract work.
- B. The Contractor's failure to complete the work within the time specified in this Contract.
- C. The Contractor's failure to make full and prompt payment to subcontractors or for material or labor.
- D. The Contractor's persistent disregard of federal, state or local laws, rules or regulations.

- E. The Contractor's filing for bankruptcy or becoming adjudged bankrupt.
- F. The Contractor's breach of any portion of this Contract.

If the City terminates this Contract for good cause, the Contractor shall not receive any further money due under this Contract except those amounts authorized and satisfactorily completed prior to the termination date. After termination, the City may take possession of all records and data within the Contractor's possession pertaining to this project which may be used by the City without restriction.

VI. LIQUIDATED DAMAGES. This section of the Contract shall apply only in the event of a delay in the completion of the work within the timeframe specified in the Contract. This being a Public Works project performed for the benefit of the public, and there being a need for the completion of the project in the time specified in the Contract, City and Contractor agree that damages for delay in the performance or completion of the work are extremely difficult to ascertain. However, City and Contractor agree that due to the expenditure of public funds for the work specified in this Contract, and the need to provide the work for the benefit of the health, safety and welfare of the public, the failure to complete the work within the time specified in the Contract will result in loss and damage to City. City and Contractor agree that a delay will result in, but not be limited to, expense to the City in the form of salaries to City employees, the extended use of City equipment, delays in other portions of the project on which Contractor is working, increased cost to the City for the project, delays in other projects planned by City, and loss of use and inconvenience to the public.

Although difficult to quantify and ascertain, City and Contractor agree that the sum listed as liquidated damages represents a fair and reasonable forecast of the actual damage caused by a delay in the performance or completion of the work specified in the Contract. In addition, City and Contractor agree that the liquidated damages set forth below are intended to compensate the City for its loss and damage caused by delay. The liquidated damages are not intended to induce the performance of Contractor.

Contractor declares that it is familiar with liquidated damages provisions, and understands their intent and purpose. By signing this Contract, Contractor further declares that it understands the liquidated damages provision of this contract, that it is a product of negotiation, and that it is a fair estimation of the damage and loss that City will suffer in the event of delay.

City and Contractor further agree that the contractor shall not be charged with liquidated damages because of any delays in the completion of the work due to unforeseeable causes beyond the control and without the fault or negligence of the contractor, including, but not restricted to, acts of God, or of the public enemy, acts of the Government, fires, floods, epidemics, quarantine restrictions, strikes, freight embargoes, and unusually severe weather or delays of subcontractors due to such causes.

City and Contractor agree that for each day beyond the completion date specified in the Contract that the project is not completed, the sum of **[\$[enter amount (compute the amount to be entered using the following formula: 0.15xoriginal contract amount divided by original time for completion. Delete these instructions after entering computed amount)]** shall be deducted from the amount to be paid Contractor and shall be retained by City as damages.

In the event that the Contract is terminated by City for cause pursuant to the general conditions of the contract, this liquidated damages section shall apply, but only to the extent that the contract is delayed. In addition to liquidated damages, City shall be permitted to recover from

Contractor the cost of completion of the work if the cost of completion exceeds the original sum of money agreed upon.

VII. PREVAILING WAGES. Contractor shall file a "Statement of Intent to Pay Prevailing Wages," with the State of Washington Department of Labor & Industries prior to commencing the Contract work. The Statement of Intent to Pay Prevailing Wages," shall include Contractor's registration certificate number and the prevailing rate of wage for each classification of workers entitled to prevailing wages under RCW 39.12.020, and the estimated number of workers in each classification.

For small public works projects under \$2,500 inclusive of tax, the City may permit the Contractor to submit a combined Intent to Pay and Affidavit of Wages Paid form (the "Combined Form"). The Combined Form does not have a corresponding form/filing fee. Before commencing work on the Contract, the Contractor is required to request the use of the Combined Form. If the City authorizes the Contractor to utilize the Combined Form process, the Contractor shall obtain the pre-approved L&I Combined Form directly from the City. Contractor shall complete and submit the Combined Form to the City together with its final invoice at the completion of the Contract work. Upon receipt, the City will review and approve the form before causing it to be filed with L&I within thirty (30) days of receipt from the Contractor.

Irrespective of the above process, Contractor shall pay prevailing wages in effect on the date the bid is accepted or executed by Contractor, and comply with Chapter 39.12 of the Revised Code of Washington, as well as any other applicable prevailing wage rate provisions. The latest prevailing wage rate revision issued by the Department of Labor and Industries must be submitted to the City by Contractor. It shall be the responsibility of Contractor to require all subcontractors to comply with Chapter 39.12 RCW and this section of the Contract.

VIII. HOURS OF LABOR. Contractor shall comply with the "hours of labor" requirements and limitations as set forth in Chapter 49.28 RCW. It shall be the responsibility of Contractor to require all subcontractors to comply with the provisions of Chapter 49.28 RCW and this section of the Contract. The Contractor shall pay all reasonable costs (such as over-time of crews) incurred by the City as a result of work beyond eight (8) hours per day or forty (40) hours per week. Additional hours beyond a forty (40)-hour workweek will be pro-rated against contractual workdays.

IX. COMPLIANCE WITH WAGE, HOUR, SAFETY, AND HEALTH LAWS. The Contractor shall comply with the rules and regulations of the Fair Labor Standards Act, 29 U.S.C. 201 *et seq*, the Occupational Safety and Health Act of 1970, 29 U.S.C. 651, *et seq*, the Washington Industrial Safety and Health Act, Chapter 49.17 RCW, and any other state or federal laws applicable to wage, hours, safety, or health standards.

X. DAYS AND TIME OF WORK. The working hours for this project will be limited to Monday through Friday from 7:00 a.m. to 6:00 p.m. unless otherwise approved by the City.

XI. WORKER'S COMPENSATION. The Contractor shall maintain Workmen's Compensation insurance in the amount and type required by law for all employees employed under this Contract who may come within the protection of Workmen's Compensation Laws. In jurisdictions not providing complete Workmen's Compensation protection, the Contractor shall maintain Employer's Liability Insurance in the amount, form and company satisfactory to the City for the benefit of all employees not protected by Workmen's Compensation Laws.

The Contractor shall make all payments arising from the performance of this Contract due to the State of Washington pursuant to Titles 50 and 51 of the Revised Code of Washington.

Whenever any work by the Contractor under the authority of this Contract is on or about navigable waters of the United States, Workers' Compensation coverage shall be extended to include United States Longshoreman and harbor worker coverage. The Contractor shall provide the City with a copy of the necessary documentation prior to the start of any activity.

XII. CHANGES. The City may issue a written change order for any change in the Contract work during the performance of this Contract. If the Contractor determines, for any reason, that a change order is necessary, Contractor must submit a written change order request to the person listed in the notice provision section of this Contract, section XV(D), within fourteen (14) calendar days of the date Contractor knew or should have known of the facts and events giving rise to the requested change. If the City determines that the change increases or decreases the Contractor's costs or time for performance, the City will make an equitable adjustment. The City will attempt, in good faith, to reach agreement with the Contractor on all equitable adjustments. However, if the parties are unable to agree, the City will determine the equitable adjustment as it deems appropriate. The Contractor shall proceed with the change order work upon receiving either a written change order from the City or an oral order from the City before actually receiving the written change order. If the Contractor fails to require a change order within the time specified in this paragraph, the Contractor waives its right to make any claim or submit subsequent change order requests for that portion of the contract work. If the Contractor disagrees with the equitable adjustment, the Contractor must complete the change order work; however, the Contractor may elect to protest the adjustment as provided in subsections A through E of Section VIII, Claims, below.

The Contractor accepts all requirements of a change order by: (1) endorsing it, (2) writing a separate acceptance, or (3) not protesting in the way this section provides. A change order that is accepted by Contractor as provided in this section shall constitute full payment and final settlement of all claims for contract time and for direct, indirect and consequential costs, including costs of delays related to any work, either covered or affected by the change.

VIII. CLAIMS. If the Contractor disagrees with anything required by a change order, another written order, or an oral order from the City, including any direction, instruction, interpretation, or determination by the City, the Contractor may file a claim as provided in this section. The Contractor shall give written notice to the City of all claims within fourteen (14) calendar days of the occurrence of the events giving rise to the claims, or within fourteen (14) calendar days of the date the Contractor knew or should have known of the facts or events giving rise to the claim, whichever occurs first. Any claim for damages, additional payment for any reason, or extension of time, whether under this Contract or otherwise, shall be conclusively deemed to have been waived by the Contractor unless a timely written claim is made in strict accordance with the applicable provisions of this Contract.

At a minimum, a Contractor's written claim shall include the information set forth in subsections A, items 1 through 5 below.

FAILURE TO PROVIDE A COMPLETE, WRITTEN NOTIFICATION OF CLAIM WITHIN THE TIME ALLOWED SHALL BE AN ABSOLUTE WAIVER OF ANY CLAIMS ARISING IN ANY WAY FROM THE FACTS OR EVENTS SURROUNDING THAT CLAIM OR CAUSED BY THAT DELAY.

- A. Notice of Claim. Provide a signed written notice of claim that provides the following information:
1. The date of the Contractor's claim;
 2. The nature and circumstances that caused the claim;

3. The provisions in this Contract that support the claim;
4. The estimated dollar cost, if any, of the claimed work and how that estimate was determined; and
5. An analysis of the progress schedule showing the schedule change or disruption if the Contractor is asserting a schedule change or disruption.

- B. Records. The Contractor shall keep complete records of extra costs and time incurred as a result of the asserted events giving rise to the claim. The City shall have access to any of the Contractor's records needed for evaluating the protest.

The City will evaluate all claims, provided the procedures in this section are followed. If the City determines that a claim is valid, the City will adjust payment for work or time by an equitable adjustment. No adjustment will be made for an invalid protest.

- C. Contractor's Duty to Complete Protested Work. In spite of any claim, the Contractor shall proceed promptly to provide the goods, materials and services required by the City under this Contract.
- D. Failure to Protest Constitutes Waiver. By not protesting as this section provides, the Contractor also waives any additional entitlement and accepts from the City any written or oral order (including directions, instructions, interpretations, and determination).
- E. Failure to Follow Procedures Constitutes Waiver. By failing to follow the procedures of this section, the Contractor completely waives any claims for protested work and accepts from the City any written or oral order (including directions, instructions, interpretations, and determination).

IX. LIMITATION OF ACTIONS. CONTRACTOR MUST, IN ANY EVENT, FILE ANY LAWSUIT ARISING FROM OR CONNECTED WITH THIS CONTRACT WITHIN 120 CALENDAR DAYS FROM THE DATE THE CONTRACT WORK IS COMPLETE OR CONTRACTOR'S ABILITY TO FILE THAT CLAIM OR SUIT SHALL BE FOREVER BARRED. THIS SECTION FURTHER LIMITS ANY APPLICABLE STATUTORY LIMITATIONS PERIOD.

X. WARRANTY. Upon acceptance of the contract work, Contractor must provide the City a two-year warranty bond in the amount of 20% of the total consideration paid to the Contractor under this Contract and in a form acceptable to the City. The Contractor shall correct all defects in workmanship and materials within one (1) year from the date of the City's acceptance of the Contract work. In the event any parts are repaired or replaced, only original replacement parts shall be used—rebuilt or used parts will not be acceptable. When defects are corrected, the warranty for that portion of the work shall extend for one (1) year from the date such correction is completed and accepted by the City. The Contractor shall begin to correct any defects within seven (7) calendar days of its receipt of notice from the City of the defect. If the Contractor does not initiate or complete the corrective work within a reasonable time in the sole discretion of the City, the City may elect to complete the identified defect(s) and pass through any and all costs of correction to the Contractor. By signature hereon, Contractor agrees to be responsible for any and all costs expended by the City to correct identified defects in Contractor's work within the above warranty periods.

XI. DISCRIMINATION. In the hiring of employees for the performance of work under this Contract or any sub-contract, the Contractor, its sub-contractors, or any person acting on behalf of the Contractor or sub-contractor shall not, by reason of race, religion, color, sex, age,

sexual orientation, national origin, or the presence of any sensory, mental, or physical disability, discriminate against any person who is qualified and available to perform the work to which the employment relates.

XII. INDEMNIFICATION. Contractor shall defend, indemnify and hold the City, its officers, officials, employees, agents and volunteers harmless from any and all claims, injuries, damages, losses or suits, including attorney fees, arising out of or in connection with the Contractor's performance of this Contract, except for injuries and damages caused by the sole negligence of the City.

Should a court of competent jurisdiction determine that this Contract is subject to RCW 4.24.115, then, in the event of liability for damages arising out of bodily injury to persons or damages to property caused by or resulting from the concurrent negligence of the Contractor and the City, its officers, officials, employees, and volunteers, the Contractor's liability hereunder shall be only to the extent of the Contractor's negligence.

IT IS FURTHER SPECIFICALLY AND EXPRESSLY UNDERSTOOD THAT THE INDEMNIFICATION PROVIDED HEREIN CONSTITUTES THE CONTRACTOR'S WAIVER OF IMMUNITY UNDER INDUSTRIAL INSURANCE, TITLE 51 RCW, SOLELY FOR THE PURPOSES OF THIS INDEMNIFICATION. THIS WAIVER HAS BEEN MUTUALLY NEGOTIATED BY THE PARTIES.

The provisions of this section shall survive the expiration or termination of this Contract.

The City's inspection or acceptance of any of Contractor's work when completed shall not be grounds to avoid any of these covenants of indemnification.

XIII. INSURANCE. The Contractor shall, at least ten (10) days prior to the commencement of work, obtain and keep in force during the term of the Contract, insurance against claims for property damage or personal injury which may arise from or in connection with the performance of the contract work by the Contractor, their agents, representatives, employees, or subcontractors as follows:

No Limitation. Contractor's maintenance of insurance as required by the agreement shall not be construed to limit the liability of the Contractor to the coverage provided by such insurance, or otherwise limit the City's recourse to any remedy available at law or in equity.

A. Minimum Scope of Insurance

Contractor shall obtain insurance of the types described below:

1. Automobile Liability insurance covering all owned non-owned, hired and leased vehicles. Coverage shall be written on Insurance Services Office (ISO) form CA 00 01 or a substitute form providing equivalent liability coverage. If necessary, the policy shall be endorsed to provide contractual liability coverage.
2. Commercial General Liability insurance shall be written on ISO occurrence form CG 00 01 and shall cover liability arising from premises, operations, independent contractors, products-completed operations, stop gap liability, personal injury and advertising injury, and liability assumed under an insured contract. The Commercial General Liability insurance shall be endorsed to provide the Aggregate Per Project Endorsement ISO form CG 25 03 11 85. There shall be no endorsement or modification of the Commercial General Liability insurance for liability arising from explosion, collapse or underground property damage. The City shall be

- named as an insured under the Contractor's Commercial General Liability insurance policy with respect to the work performed for the City using ISO Additional Insured endorsement CG 20 10 10 01 and Additional Insured-Completed Operations endorsement CG 20 37 10 01 or substitute endorsements providing equivalent coverage.
3. Workers' Compensation coverage as required by the Industrial Insurance laws of the State of Washington.
 4. Builders Risk insurance covering interests of the City, the Contractor, Subcontractors, and Sub-subcontractors in the work. Builders Risk insurance shall be on a all-risk policy form and shall insure against the perils of fire and extended coverage and physical loss or damage including flood and earthquake, theft, vandalism, malicious mischief, collapse, temporary buildings and debris removal. This Builders Risk insurance covering the work will have a deductible of \$5,000 for each occurrence, which will be the responsibility of the Contractor. Higher deductibles for flood and earthquake perils may be accepted by the City upon written request by the Contractor and written acceptance by the City. Any increased deductibles accepted by the City will remain the responsibility of the Contractor. The Builders Risk insurance shall be maintained until final acceptance of the work by the City.

B. Minimum Amounts of Insurance

Contractor shall maintain the following insurance limits:

1. Automobile Liability insurance with a minimum combined single limit for bodily injury and property damage of \$2,000,000 per accident.
2. Commercial General Liability insurance shall be written with limits no less than \$2,000,000 each occurrence, \$2,000,000 general aggregate and a \$2,000,000 products-completed operations aggregate limit.
3. Builders Risk insurance shall be written in the amount of the completed value of the project with no coinsurance provisions.

C. Other Insurance Provisions

The insurance policies are to contain, or be endorsed to contain, the following provisions for Automobile Liability and Commercial General Liability insurance and Builders Risk:

1. The Contractor's insurance coverage shall be primary insurance as respect the City. Any Insurance, self-insurance, or insurance pool coverage maintained by the City shall be excess of the Contractor's insurance and shall not contribute with it.
2. The Contractor's insurance shall be endorsed to state that coverage shall not be cancelled by either party, except after thirty (30) days prior written notice by certified mail, return receipt requested, has been given to the City.

D. Contractor's Insurance for Other Losses

The Contractor shall assume full responsibility for all loss or damage from any cause whatsoever to any tools, Contractor's employee owned tools, machinery, equipment, or motor vehicles owned or rented by the Contractor, or the Contractor's agents, suppliers or contractors as well as to any temporary structures, scaffolding and protective fences.

E. Waiver of Subrogation

The Contractor and the City waive all rights against each other any of their Subcontractors, Sub-subcontractors, agents and employees, each of the other, for damages caused by fire or other perils to the extent covered by Builders Risk insurance or other property insurance obtained pursuant to the Insurance Requirements Section of this Contract or other property insurance applicable to the work. The policies shall provide such waivers by endorsement or otherwise.

F. Acceptability of Insurers

Insurance is to be placed with insurers with a current A.M. Best rating of not less than A: VII.

Verification of Coverage

Contractor shall furnish the City with original certificates and a copy of the amendatory endorsements, including but not necessarily limited to the additional insured endorsement, evidencing the Automobile Liability and Commercial General Liability insurance of the Contractor before commencement of the work. Before any exposure to loss may occur, the Contractor shall file with the City a copy of the Builders Risk insurance policy that includes all applicable conditions, exclusions, definitions, terms and endorsements related to this project.

G. Subcontractors

Contractor shall ensure that each subcontractor of every tier obtain at a minimum the same insurance coverage and limits as stated herein for the Contractor (with the exception of Builders Risk insurance). Upon request by the City, the Contractor shall provide evidence of such insurance.

XIV. WORK PERFORMED AT CONTRACTOR'S RISK. Contractor shall take all necessary precautions and shall be responsible for the safety of its employees, agents, and subcontractors in the performance of the contract work and shall utilize all protection necessary for that purpose. All work shall be done at Contractor's own risk, and Contractor shall be responsible for any loss of or damage to materials, tools, or other articles used or held for use in connection with the work.

XV. BOND. Pursuant to Chapter 39.08 RCW, the Contractor shall, prior to the execution of the Contract, furnish a performance and payment bond to the City in the full amount of the bid with a surety company as surety, ensuring that the Contractor shall faithfully perform all the provisions of this Contract and pay all laborers, mechanics, and subcontractors and materialmen, and all persons who supply such Contractor or subcontractors with provisions and supplies for the carrying on of such work. Such bond shall provide that any person or persons performing such services or furnishing material to any subcontractor shall have the same right under the provisions of such bond as if such work, services or material was furnished to the original Contractor. In addition, the surety company providing such bond shall agree to be bound to the laws of the state of Washington, and subjected to the jurisdiction of the state of Washington and the Pierce County Superior Court in any proceeding to enforce the bond. This Contract shall not become effective until said bond is supplied and approved by the Engineer and filed with the City Clerk.

In the event that the Compensation called for in Section III of this Contract is less than \$150,000.00, which sum shall be determined after the addition of applicable Washington State sales tax, the Contractor may, prior to the execution to this contract and in lieu of the above

mentioned bond, elect to have the City retain 10% of the contract amount for a period of either thirty (30) days after final acceptance, or until receipt of all necessary releases from the department of revenue and the department of labor and industries and settlement of any liens filed under Chapter 60.28 RCW, whichever is later.

XVI. DEBARMENT. The Contractor must certify that it, and its subcontractors, have not been and are not currently on the Federal or the Washington State Debarment List and if the Contractor or its subcontractors become listed on the Federal or State Debarment List, the City will be notified immediately.

XVII. MISCELLANEOUS PROVISIONS.

A. Non-Waiver of Breach. The failure of the City to insist upon strict performance of any of the covenants and agreements contained in this Contract, or to exercise any option conferred by this Contract in one or more instances shall not be construed to be a waiver or relinquishment of those covenants, agreements or options, and the same shall be and remain in full force and effect.

B. Resolution of Disputes and Governing Law.

1. Alternative Dispute Resolution. If a dispute arises from or relates to this Contract or the breach thereof and if the dispute cannot be resolved through direct discussions, the parties agree to endeavor first to settle the dispute in an amicable manner by mediation administered by a mediator under JAMS Alternative Dispute Resolution service rules or policies before resorting to arbitration. The mediator may be selected by agreement of the parties or through JAMS. Following mediation, or upon written Contract of the parties to waive mediation, any unresolved controversy or claim arising from or relating to this Contract or breach thereof shall be settled through arbitration which shall be conducted under JAMS rules or policies. The arbitrator may be selected by agreement of the parties or through JAMS. All fees and expenses for mediation or arbitration shall be borne by the parties equally. However, each party shall bear the expense of its own counsel, experts, witnesses, and preparation and presentation of evidence.

2. Applicable Law and Jurisdiction. This Contract shall be governed by the laws of the State of Washington. Although the agreed to and designated primary dispute resolution method as set forth above, in the event any claim, dispute or action arising from or relating to this Contract cannot be submitted to arbitration, then it shall be commenced exclusively in the Pierce County Superior Court or the United States District Court, Western District of Washington as appropriate. In any claim or lawsuit for damages arising from the parties' performance of this Agreement, each party shall pay all its legal costs and attorney's fees incurred in defending or bringing such claim or lawsuit, in addition to any other recovery or award provided by law; provided, however, nothing in this paragraph shall be construed to limit the City's right to indemnification under Section VII of this Contract.

C. Written Notice. All communications regarding this Contract shall be sent to the parties at the addresses listed on the signature page of the Contract, unless notified to the contrary. Any written notice hereunder shall become effective three (3) business days after the date of mailing by registered or certified mail, and shall be deemed sufficiently given if sent to the addressee at the address stated in this Contract or such other address as may be hereafter specified in writing.

D. Assignment. Any assignment of this Contract by either party without the written consent of the non-assigning party shall be void. If the non-assigning party gives its consent to

any assignment, the terms of this Contract shall continue in full force and effect and no further assignment shall be made without additional written consent.

E. Modification. No waiver, alteration, or modification of any of the provisions of this Contract shall be binding unless in writing and signed by a duly authorized representative of the City and Contractor.

F. Compliance with Laws. The Contractor agrees to comply with all federal, state, and municipal laws, rules, and regulations that are now effective or in the future become applicable to Contractor's business, equipment, and personnel engaged in operations covered by this Contract or accruing out of the performance of those operations.

G. Counterparts. This Contract may be executed in any number of counterparts, each of which shall constitute an original, and all of which will together constitute this one Contract.

H. Business License. Contractor shall comply with the provisions of Title 5 Chapter 5.04 of the Sumner Municipal.

I. Contractor's Employees – Employment Eligibility Requirements (E-Verify).

For contracts of \$35,000 or more the Contractor and any subcontractors shall comply with E-Verify as set forth in Sumner Municipal Code Chapter 3.30. E-Verify is an Internet-based system operated by United States Citizenship and Immigration Services in partnership with the Social Security Administration. E-Verify is free to employers and is available in all 50 states. E-Verify provides an automated link to federal databases to help employers determine employment eligibility of new hires and the validity of their Social Security numbers. The Contractor shall enroll in, participate in and document use of E-Verify as a condition of the award of this contract. The Contractor shall continue participation in E-Verify throughout the course of the Contractor's contractual relationship with the City. If the Contractor uses or employs any subcontractor in the performance of work under this contract, or any subsequent renewals, modifications or extension of this contract, the subcontractor shall register in and participate in E-Verify and certify such participation to the Contractor. Upon execution of this Contract, the Contractor shall provide proof of compliance with this section by filling out and signing the attached Certification of Compliance with Sumner's Municipal Code 3.30 "E-Verify" attached hereto as Exhibit [Insert Exhibit number containing the Certificate]

J. Entire Contract. The written provisions and terms of this Contract, together with any Exhibits attached hereto, shall supersede all prior verbal statements of any officer or other representative of the City, and such statements shall not be effective or be construed as entering into or forming a part of or altering in any manner this Contract. All of the above documents are hereby made a part of this Contract. However, should any language in any of the Exhibits to this Contract conflict with any language contained in this Contract, then the order of precedence shall be in accordance with Section I c of this Contract.

K. Severability. If any one or more sections, sub-sections, or sentences of this Contract are held to be unconstitutional or invalid, that decision shall not affect the validity of the remaining portion of this Contract and the remainder shall remain in full force and effect.

L. Application of Uniform Guidance. If this contract involves the use, in whole or in part, of federal award(s), provisions (A)-(J) in Appendix II to Part 200 of the Uniform Guidance (2 CFR Ch. 11 (1-1-14 edition) are hereby incorporated, as applicable, as if fully set forth herein. See attached Exhibit C.

IN WITNESS, the parties below execute this Contract, which shall become effective on the last date entered below.

<p>CONTRACTOR:</p> <p>By: _____ <i>(signature)</i></p> <p>Print Name: _____</p> <p>Its _____ <i>(Title)</i></p> <p>DATE: _____</p>	<p>CITY OF SUMNER:</p> <p>By: _____ <i>(signature)</i></p> <p>Print Name: <u>Kathy Hayden</u> Its <u>Mayor</u> <i>(Title)</i></p> <p>DATE: _____</p> <p>By: _____ <i>(signature)</i></p> <p>Print Name: <u>Jason Wilson</u> Its <u>City Administrator</u> <i>(Title)</i></p> <p>DATE: _____</p> <p>Attest: _____ Approved as to form: _____</p> <p>City Clerk DATE: _____ City Attorney DATE: _____</p>
---	---

<p>NOTICES TO BE SENT TO:</p> <p>CONTRACTOR:</p> <p>[Insert Contact Name] [Insert Company Name] [Insert Address] [Address - Continued]</p> <p>[Insert Telephone Number] (telephone) [Insert Fax Number] (facsimile)</p>	<p>NOTICES TO BE SENT TO:</p> <p>CITY OF SUMNER:</p> <p>[Insert Name of City Rep. to Receive Notice] City of Sumner 1104 Maple Street Sumner, WA 98390 [Insert Telephone Number] (telephone) [Insert Fax Number] (facsimile)</p>
---	---

EXHIBIT A

SAMPLE

EXHIBIT B
CITY OF SUMNER

CERTIFICATION OF COMPLIANCE WITH SUMNER MUNICIPAL CODE CHAPTER 3.30
"E-VERIFY"

As the person duly authorized to enter into such commitment for

[Insert Company or Organization Name]

I hereby certify that the Company or Organization named herein will

(check one box below)

Be in compliance with all of the requirements of City of Sumner Municipal Code Chapter 3.30 for the duration of the contract entered into between the City of Sumner and the Company or Organization.

OR

Hire no employees for the term of the contract between the City and the Company or Organization.

NAME

TITLE

DATE

EXHIBIT C

APPENDIX II TO PART 200---CONTRACT PROVISIONS FOR NON-FEDERAL ENTITY CONTRACTS UNDER FEDERAL AWARDS

In addition to other provisions required by the Federal agency or non-Federal entity, all contracts made by the City of Sumner under federal award(s) are subject to the following provisions, as applicable.

(A) Contracts for more than the simplified acquisition threshold currently set at \$150,000, which is the inflation adjusted amount determined by the Civilian Agency Acquisition Council and the Defense Acquisition Regulations Council (Councils) as authorized by 41 U.S.C. 1908, must address administrative, contractual, or legal remedies in instances where contractors violate or breach contract terms, and provide for such sanctions and penalties as appropriate.

(B) All contracts in excess of \$10,000 must address termination for cause and for convenience by the non-Federal entity including the manner by which it will be effected and the basis for settlement.

(C) Equal Employment Opportunity. Except as otherwise provided under 41 CFR Part 60, all contracts that meet the definition of "federally assisted construction contract" in 41 CFR Part 60-1.3 must include the equal opportunity clause provided under 41 CFR 60-1.4(b), in accordance with Executive Order 11246, "Equal Employment Opportunity" (30 FR 12319, 12935, 3 CFR Part, 1964- 1965 Comp., p. 339), as amended by Executive Order 11375, "Amending Executive Order 11246 Relating to Equal Employment Opportunity," and implementing at 41 CFR part 60, "Office of Federal Contract Compliance Programs, Equal Employment Opportunity, Department of Labor."

(D) Davis-Bacon Act, as amended (40 U.S.C. 3141-3148). When required by Federal program legislation, all prime construction contracts in excess of \$2,000 awarded by non-Federal entities must include a provision for compliance with the Davis-Bacon Act (40 U.S.C. 3141-3144, and 3146-3148) as supplemented by Department of Labor regulations (29 CFR Part 5, "Labor Standards Provisions Applicable to Contracts Covering Federally Financed and Assisted Construction"). In accordance with the statute, the following language is hereby incorporated into the contract as if fully set forth therein:

Application of Uniform Guidance. If this contract involves the use, in whole or in part, of federal award(s), the following provisions (29 CFR, Subtitle A Part 5, Subpart A, § 5.5, subsections (a)(1) – (a)(10)) shall apply:

(1) Minimum wages.

(i) All laborers and mechanics employed or working upon the site of the work (or under the United States Housing Act of 1937 or under the Housing Act of 1949 in the construction or development of the project), will be paid unconditionally and not less often than once a week, and without subsequent deduction or rebate on any account (except such payroll deductions as are permitted by regulations issued by the Secretary of Labor under the Copeland Act (29 CFR part 3)), the full amount of wages and bona fide fringe benefits (or cash equivalents thereof) due at time of payment computed at rates not less than those contained in the wage determination of the Secretary of Labor which is attached hereto and made a part hereof, regardless of any contractual relationship which may be alleged to exist between the contractor and such laborers and mechanics. Contributions made or costs reasonably anticipated for bona fide fringe benefits under section 1(b)(2) of the Davis-Bacon Act on behalf of laborers or mechanics are considered wages paid to such laborers or mechanics, subject to the provisions of paragraph (a)(1)(iv) of this section; also, regular contributions made or costs incurred for more than a weekly period (but not less often than quarterly) under plans, funds, or programs which cover the particular weekly period, are deemed to be constructively made or incurred during such weekly period.

Such laborers and mechanics shall be paid the appropriate wage rate and fringe benefits on the wage determination for the classification of work actually performed, without regard to skill, except as provided in § 5.5(a)(4). Laborers or mechanics performing work in more than one classification may be compensated at the rate specified for each classification for the time actually worked therein: Provided, That the employer's payroll records accurately set forth the time spent in each classification in which work is performed. The wage determination (including any additional classification and wage rates conformed under paragraph (a)(1)(ii) of this section) and the Davis-Bacon poster (WH-1321) shall be posted at all times by the contractor and its subcontractors at the site of the work in a prominent and accessible place where it can be easily seen by the workers.

(ii)

(A) The contracting officer shall require that any class of laborers or mechanics, including helpers, which is not listed in the wage determination and which is to be employed under the contract shall be classified in conformance with the wage determination. The contracting officer shall approve an additional classification and wage rate and fringe benefits therefore only when the following criteria have been met:

- (1) The work to be performed by the classification requested is not performed by a classification in the wage determination; and
- (2) The classification is utilized in the area by the construction industry; and
- (3) The proposed wage rate, including any bona fide fringe benefits, bears a reasonable relationship to the wage rates contained in the wage determination.

(B) If the contractor and the laborers and mechanics to be employed in the classification (if known), or their representatives, and the contracting officer agree on the classification and wage rate (including the amount designated for fringe benefits where appropriate), a report of the action taken shall be sent by the contracting officer to the Administrator of the Wage and Hour Division, U.S. Department of Labor, Washington, DC 20210. The Administrator, or an authorized representative, will approve, modify, or disapprove every additional classification action within 30 days of receipt and so advise the contracting officer or will notify the contracting officer within the 30-day period that additional time is necessary.

(C) In the event the contractor, the laborers or mechanics to be employed in the classification or their representatives, and the contracting officer do not agree on the proposed classification and wage rate (including the amount designated for fringe benefits, where appropriate), the contracting officer shall refer the questions, including the views of all interested parties and the recommendation of the contracting officer, to the Administrator for determination. The Administrator, or an authorized representative, will issue a determination within 30 days of receipt and so advise the contracting officer or will notify the contracting officer within the 30-day period that additional time is necessary.

(D) The wage rate (including fringe benefits where appropriate) determined pursuant to paragraphs (a)(1)(ii) (B) or (C) of this section, shall be paid to all workers performing work in the classification under this contract from the first day on which work is performed in the classification.

(iii) Whenever the minimum wage rate prescribed in the contract for a class of laborers or mechanics includes a fringe benefit which is not expressed as an hourly rate, the contractor shall either pay the benefit as stated in the wage determination or shall pay another bona fide fringe benefit or an hourly cash equivalent thereof.

(iv) If the contractor does not make payments to a trustee or other third person, the contractor may consider as part of the wages of any laborer or mechanic the amount of any costs reasonably anticipated in providing bona fide fringe benefits under a plan or program, Provided, That the Secretary of Labor has found, upon the written request of the contractor, that the applicable standards of the Davis-Bacon

Act have been met. The Secretary of Labor may require the contractor to set aside in a separate account assets for the meeting of obligations under the plan or program.

(2) Withholding. The City of Sumner shall upon its own action or upon written request of an authorized representative of the Department of Labor withhold or cause to be withheld from the contractor under this contract or any other Federal contract with the same prime contractor, or any other federally-assisted contract subject to Davis-Bacon prevailing wage requirements, which is held by the same prime contractor, so much of the accrued payments or advances as may be considered necessary to pay laborers and mechanics, including apprentices, trainees, and helpers, employed by the contractor or any subcontractor the full amount of wages required by the contract. In the event of failure to pay any laborer or mechanic, including any apprentice, trainee, or helper, employed or working on the site of the work (or under the United States Housing Act of 1937 or under the Housing Act of 1949 in the construction or development of the project), all or part of the wages required by the contract, the (Agency) may, after written notice to the contractor, sponsor, applicant, or owner, take such action as may be necessary to cause the suspension of any further payment, advance, or guarantee of funds until such violations have ceased.

(3) Payrolls and basic records.

(i) Payrolls and basic records relating thereto shall be maintained by the contractor during the course of the work and preserved for a period of three years thereafter for all laborers and mechanics working at the site of the work (or under the United States Housing Act of 1937, or under the Housing Act of 1949, in the construction or development of the project). Such records shall contain the name, address, and social security number of each such worker, his or her correct classification, hourly rates of wages paid (including rates of contributions or costs anticipated for bona fide fringe benefits or cash equivalents thereof of the types described in section 1(b)(2)(B) of the Davis-Bacon Act), daily and weekly number of hours worked, deductions made and actual wages paid. Whenever the Secretary of Labor has found under 29 CFR 5.5(a)(1)(iv) that the wages of any laborer or mechanic include the amount of any costs reasonably anticipated in providing benefits under a plan or program described in section 1(b)(2)(B) of the Davis-Bacon Act, the contractor shall maintain records which show that the commitment to provide such benefits is enforceable, that the plan or program is financially responsible, and that the plan or program has been communicated in writing to the laborers or mechanics affected, and records which show the costs anticipated or the actual cost incurred in providing such benefits. Contractors employing apprentices or trainees under approved programs shall maintain written evidence of the registration of apprenticeship programs and certification of trainee programs, the registration of the apprentices and trainees, and the ratios and wage rates prescribed in the applicable programs.

(ii) (A) The contractor shall submit weekly for each week in which any contract work is performed a copy of all payrolls to the City if the agency is a party to the contract, but if the agency is not such a party, the contractor will submit the payrolls to the applicant, sponsor, or owner, as the case may be, for transmission to the City. The payrolls submitted shall set out accurately and completely all of the information required to be maintained under 29 CFR 5.5(a)(3)(i), except that full social security numbers and home addresses shall not be included on weekly transmittals. Instead the payrolls shall only need to include an individually identifying number for each employee (e.g., the last four digits of the employee's social security number). The required weekly payroll information may be submitted in any form desired. Optional Form WH-347 is available for this purpose from the Wage and Hour Division Web site at <http://www.dol.gov/esa/whd/forms/wh347instr.htm> or its successor site. The prime contractor is responsible for the submission of copies of payrolls by all subcontractors. Contractors and subcontractors shall maintain the full social security number and current address of each covered worker, and shall provide them upon request to the City if the agency is a party to the contract, but if the agency is not such a party, the contractor will submit them to the applicant, sponsor, or owner, as the case may be, for transmission to the City, the contractor, or the Wage and Hour Division of the Department of Labor for purposes of an investigation or audit of compliance with prevailing wage requirements. It is not a violation of this section for a prime contractor to require a subcontractor to provide addresses and social security numbers to the prime contractor for its own records, without weekly submission to the sponsoring government agency (or the applicant, sponsor, or owner).

(B) Each payroll submitted shall be accompanied by a "Statement of Compliance," signed by the contractor or subcontractor or his or her agent who pays or supervises the payment of the persons employed under the contract and shall certify the following:

(1) That the payroll for the payroll period contains the information required to be provided under § 5.5 (a)(3)(ii) of Regulations, 29 CFR part 5, the appropriate information is being maintained under § 5.5 (a)(3)(i) of Regulations, 29 CFR part 5, and that such information is correct and complete;

(2) That each laborer or mechanic (including each helper, apprentice, and trainee) employed on the contract during the payroll period has been paid the full weekly wages earned, without rebate, either directly or indirectly, and that no deductions have been made either directly or indirectly from the full wages earned, other than permissible deductions as set forth in Regulations, 29 CFR part 3;

(3) That each laborer or mechanic has been paid not less than the applicable wage rates and fringe benefits or cash equivalents for the classification of work performed, as specified in the applicable wage determination incorporated into the contract.

(C) The weekly submission of a properly executed certification set forth on the reverse side of Optional Form WH-347 shall satisfy the requirement for submission of the "Statement of Compliance" required by paragraph (a)(3)(ii)(B) of this section.

(D) The falsification of any of the above certifications may subject the contractor or subcontractor to civil or criminal prosecution under section 1001 of title 18 and section 231 of title 31 of the United States Code.

(iii) The contractor or subcontractor shall make the records required under paragraph (a)(3)(i) of this section available for inspection, copying, or transcription by authorized representatives of the City or the Department of Labor, and shall permit such representatives to interview employees during working hours on the job. If the contractor or subcontractor fails to submit the required records or to make them available, the Federal agency may, after written notice to the contractor, sponsor, applicant, or owner, take such action as may be necessary to cause the suspension of any further payment, advance, or guarantee of funds. Furthermore, failure to submit the required records upon request or to make such records available may be grounds for debarment action pursuant to 29 CFR 5.12.

(4) Apprentices and trainees.

(i) Apprentices. Apprentices will be permitted to work at less than the predetermined rate for the work they performed when they are employed pursuant to and individually registered in a bona fide apprenticeship program registered with the U.S. Department of Labor, Employment and Training Administration, Office of Apprenticeship Training, Employer and Labor Services, or with a State Apprenticeship Agency recognized by the Office, or if a person is employed in his or her first 90 days of probationary employment as an apprentice in such an apprenticeship program, who is not individually registered in the program, but who has been certified by the Office of Apprenticeship Training, Employer and Labor Services or a State Apprenticeship Agency (where appropriate) to be eligible for probationary employment as an apprentice. The allowable ratio of apprentices to journeymen on the job site in any craft classification shall not be greater than the ratio permitted to the contractor as to the entire work force under the registered program. Any worker listed on a payroll at an apprentice wage rate, who is not registered or otherwise employed as stated above, shall be paid not less than the applicable wage rate on the wage determination for the classification of work actually performed. In addition, any apprentice performing work on the job site in excess of the ratio permitted under the registered program shall be paid not less than the applicable wage rate on the wage determination for the work actually performed. Where a contractor is performing construction on a project in a locality other than that in which its program is registered, the ratios and wage rates (expressed in percentages of the journeyman's hourly rate) specified in the contractor's or subcontractor's registered program shall be observed. Every apprentice must be paid at not less than the rate specified in the registered program for the apprentice's level of progress, expressed as a percentage of the journeymen hourly rate specified in

the applicable wage determination. Apprentices shall be paid fringe benefits in accordance with the provisions of the apprenticeship program. If the apprenticeship program does not specify fringe benefits, apprentices must be paid the full amount of fringe benefits listed on the wage determination for the applicable classification. If the Administrator determines that a different practice prevails for the applicable apprentice classification, fringes shall be paid in accordance with that determination. In the event the Office of Apprenticeship Training, Employer and Labor Services, or a State Apprenticeship Agency recognized by the Office, withdraws approval of an apprenticeship program, the contractor will no longer be permitted to utilize apprentices at less than the applicable predetermined rate for the work performed until an acceptable program is approved.

(ii) Trainees. Except as provided in 29 CFR 5.16, trainees will not be permitted to work at less than the predetermined rate for the work performed unless they are employed pursuant to and individually registered in a program which has received prior approval, evidenced by formal certification by the U.S. Department of Labor, Employment and Training Administration. The ratio of trainees to journeymen on the job site shall not be greater than permitted under the plan approved by the Employment and Training Administration. Every trainee must be paid at not less than the rate specified in the approved program for the trainee's level of progress, expressed as a percentage of the journeyman hourly rate specified in the applicable wage determination. Trainees shall be paid fringe benefits in accordance with the provisions of the trainee program. If the trainee program does not mention fringe benefits, trainees shall be paid the full amount of fringe benefits listed on the wage determination unless the Administrator of the Wage and Hour Division determines that there is an apprenticeship program associated with the corresponding journeyman wage rate on the wage determination which provides for less than full fringe benefits for apprentices. Any employee listed on the payroll at a trainee rate who is not registered and participating in a training plan approved by the Employment and Training Administration shall be paid not less than the applicable wage rate on the wage determination for the classification of work actually performed. In addition, any trainee performing work on the job site in excess of the ratio permitted under the registered program shall be paid not less than the applicable wage rate on the wage determination for the work actually performed. In the event the Employment and Training Administration withdraws approval of a training program, the contractor will no longer be permitted to utilize trainees at less than the applicable predetermined rate for the work performed until an acceptable program is approved.

(iii) Equal employment opportunity. The utilization of apprentices, trainees and journeymen under this part shall be in conformity with the equal employment opportunity requirements of Executive Order 11246, as amended, and 29 CFR part 30.

(5) Compliance with Copeland Act requirements. The contractor shall comply with the requirements of 29 CFR part 3, which are incorporated by reference in this contract.

(6) Subcontracts. The contractor or subcontractor shall insert in any subcontracts the clauses contained in 29 CFR 5.5(a)(1) through (10) and such other clauses as the City may by appropriate instructions require, and also a clause requiring the subcontractors to include these clauses in any lower tier subcontracts. The prime contractor shall be responsible for the compliance by any subcontractor or lower tier subcontractor with all the contract clauses in 29 CFR 5.5.

(7) Contract termination: debarment. A breach of the contract clauses in 29 CFR 5.5 may be grounds for termination of the contract, and for debarment as a contractor and a subcontractor as provided in 29 CFR 5.12.

(8) Compliance with Davis-Bacon and Related Act requirements. All rulings and interpretations of the Davis-Bacon and Related Acts contained in 29 CFR parts 1, 3, and 5 are herein incorporated by reference in this contract.

(9) Disputes concerning labor standards. Disputes arising out of the labor standards provisions of this contract shall not be subject to the general disputes clause of this contract. Such disputes shall be resolved in accordance with the procedures of the Department of Labor set forth in 29 CFR parts 5, 6, and 7.. Disputes within the meaning of this clause include disputes between the contractor (or any of its subcontractors) and the contracting agency, the U.S. Department of Labor, or the employees or their representatives.

(10) Certification of eligibility.

(i) By entering into this contract, the contractor certifies that neither it (nor he or she) nor any person or firm who has an interest in the contractor's firm is a person or firm ineligible to be awarded Government contracts by virtue of section 3(a) of the Davis-Bacon Act or 29 CFR 5.12(a)(1).

(ii) No part of this contract shall be subcontracted to any person or firm ineligible for award of a Government contract by virtue of section 3(a) of the Davis-Bacon Act or 29 CFR 5.12(a)(1).

(iii) The penalty for making false statements is prescribed in the U.S. Criminal Code, 18 U.S.C. 1001.

(E) Contract Work Hours and Safety Standards Act (40 U.S.C. 3701-3708). Where applicable, all contracts awarded by the non-Federal entity in excess of \$100,000 that involve the employment of mechanics or laborers must include a provision for compliance with 40 U.S.C. 3702 and 3704, as supplemented by Department of Labor regulations (29 CFR Part 5). Under 40 U.S.C. 3702 of the Act, each contractor must be required to compute the wages of every mechanic and laborer on the basis of a standard work week of 40 hours. Work in excess of the standard work week is permissible provided that the worker is compensated at a rate of not less than one and a half times the basic rate of pay for all hours worked in excess of 40 hours in the work week. The requirements of 40 U.S.C. 3704 are applicable to construction work and provide that no laborer or mechanic must be required to work in surroundings or under working conditions which are unsanitary, hazardous or dangerous. These requirements do not apply to the purchases of supplies or materials or articles ordinarily available on the open market, or contracts for transportation or transmission of intelligence.

(F) Rights to Inventions Made Under a Contract or Agreement. If the Federal award meets the definition of "funding agreement" under 37 CFR §401.2 (a) and the recipient or sub recipient wishes to enter into a contract with a small business firm or nonprofit organization regarding the substitution of parties, assignment or performance of experimental, developmental, or research work under that "funding agreement," the recipient or sub recipient must comply with the requirements of 37 CFR Part 401, "Rights to Inventions Made by Nonprofit Organizations and Small Business Firms Under Government Grants, Contracts and Cooperative Agreements," and any implementing regulations issued by the awarding agency.

(G) Clean Air Act (42 U.S.C. 7401-7671q) and the Federal Water Pollution Control Act (33 U.S.C. 1251-1387), as amended-Contracts and sub grants of amounts in excess of \$150,000 must contain a provision that requires the non-Federal award to agree to comply with all applicable standards, orders or regulations issued pursuant to the Clean Air Act (42 U.S.C. 7401-7671q) and the Federal Water Pollution Control Act as amended (33 U.S.C. 1251-1387). Violations must be reported to the Federal awarding agency and the Regional Office of the Environmental Protection Agency (EPA).

(H) Mandatory standards and policies relating to energy efficiency which are contained in the state energy conservation plan issued in compliance with the Energy Policy and Conservation Act (42 U.S.C. 6201).

(I) Debarment and Suspension (Executive Orders 12549 and 12689)-A contract award (see 2 CFR 180.220) must not be made to parties listed on the government wide Excluded Parties List System in the System for Award Management (SAM), in accordance with the OMB guidelines at 2 CFR 180 that implement Executive Orders 12549 (3 CFR Part 1986 Comp., p. 189) and 12689 (3 CFR Part 1989 Comp., p. 235), "Debarment and Suspension." The Excluded Parties List System in SAM contains the names of parties debarred, suspended, or otherwise excluded by agencies, as well as parties declared ineligible under statutory or regulatory authority other than Executive Order 12549.

(J) Byrd Anti-Lobbying Amendment (31 U.S.C. 1352)-Contractors that apply or bid for an award of \$100,000 or more must file the required certification. Each tier certifies to the tier above that it will not and has not used Federal appropriated funds to pay any person or organization for influencing or attempting to influence an officer or employee of any agency, a member of Congress, officer or employee of Congress, or an employee of a member of Congress in connection with obtaining any Federal contract, grant or any other

award covered by 31 U.S.C . 1352. Each tier must also disclose any lobbying with non-Federal funds that takes place in connection with obtaining any Federal award. Such disclosures are forwarded from tier to tier up to the non-Federal award.

SAMPLE

State of Washington
Department of Labor & Industries
Prevailing Wage Section - Telephone 360-902-5335
PO Box 44540, Olympia, WA 98504-4540

Washington State Prevailing Wage

The PREVAILING WAGES listed here include both the hourly wage rate and the hourly rate of fringe benefits. On public works projects, worker's wage and benefit rates must add to not less than this total. A brief description of overtime calculation requirements are provided on the Benefit Code Key.

Journey Level Prevailing Wage Rates for the Effective Date: 1/9/2023

County	Trade	Job Classification	Wage	Holiday	Overtime	Note	*Risk Class
Pierce	Asbestos Abatement Workers	Journey Level	\$56.80	<u>5D</u>	<u>1H</u>		View
Pierce	Boilermakers	Journey Level	\$72.54	<u>5N</u>	<u>1C</u>		View
Pierce	Brick Mason	Journey Level	\$66.32	<u>7E</u>	<u>1N</u>		View
Pierce	Brick Mason	Pointer-Caulker-Cleaner	\$66.32	<u>7E</u>	<u>1N</u>		View
Pierce	Building Service Employees	Janitor	\$21.79	<u>5S</u>	<u>2F</u>		View
Pierce	Building Service Employees	Traveling Waxer / Shampooer	\$22.74	<u>5S</u>	<u>2F</u>		View
Pierce	Building Service Employees	Window Cleaner (High Time)	\$30.74	<u>5S</u>	<u>2F</u>		View
Pierce	Building Service Employees	Window Cleaner (Non-High Time)	\$29.24	<u>5S</u>	<u>2F</u>		View
Pierce	Cabinet Makers (In Shop)	Journey Level	\$28.36		<u>1</u>		View
Pierce	Carpenters	Acoustical Worker	\$71.53	<u>15J</u>	<u>4C</u>		View
Pierce	Carpenters	Bridge, Dock And Wharf Carpenters	\$71.53	<u>15J</u>	<u>4C</u>		View
Pierce	Carpenters	Floor Layer & Floor Finisher	\$71.53	<u>15J</u>	<u>4C</u>		View
Pierce	Carpenters	Journey Level	\$71.53	<u>15J</u>	<u>4C</u>		View
Pierce	Carpenters	Scaffold Erector	\$71.53	<u>15J</u>	<u>4C</u>		View
Pierce	Cement Masons	Application of all Composition Mastic	\$70.09	<u>15J</u>	<u>4U</u>		View
Pierce	Cement Masons	Application of all Epoxy Material	\$69.59	<u>15J</u>	<u>4U</u>		View
Pierce	Cement Masons	Application of all Plastic Material	\$70.09	<u>15J</u>	<u>4U</u>		View
Pierce	Cement Masons	Application of Sealing Compound	\$69.59	<u>15J</u>	<u>4U</u>		View
Pierce	Cement Masons	Application of Underlayment	\$70.09	<u>15J</u>	<u>4U</u>		View
Pierce	Cement Masons	Building General	\$69.59	<u>15J</u>	<u>4U</u>		View
Pierce	Cement Masons	Composition or Kalman Floors	\$70.09	<u>15J</u>	<u>4U</u>		View
Pierce	Cement Masons	Concrete Paving	\$69.59	<u>15J</u>	<u>4U</u>		View
Pierce	Cement Masons	Curb & Gutter Machine	\$70.09	<u>15J</u>	<u>4U</u>		View
Pierce	Cement Masons	Curb & Gutter, Sidewalks	\$69.59	<u>15J</u>	<u>4U</u>		View
Pierce	Cement Masons	Curing Concrete	\$69.59	<u>15J</u>	<u>4U</u>		View
Pierce	Cement Masons	Finish Colored Concrete	\$70.09	<u>15J</u>	<u>4U</u>		View
Pierce	Cement Masons	Floor Grinding	\$70.09	<u>15J</u>	<u>4U</u>		View
Pierce	Cement Masons	Floor Grinding/Polisher	\$69.59	<u>15J</u>	<u>4U</u>		View
Pierce	Cement Masons	Green Concrete Saw, self-powered	\$70.09	<u>15J</u>	<u>4U</u>		View
Pierce	Cement Masons	Grouting of all Plates	\$69.59	<u>15J</u>	<u>4U</u>		View
Pierce	Cement Masons	Grouting of all Tilt-up Panels	\$69.59	<u>15J</u>	<u>4U</u>		View
Pierce	Cement Masons	Gunite Nozzleman	\$70.09	<u>15J</u>	<u>4U</u>		View
Pierce	Cement Masons	Hand Powered Grinder	\$70.09	<u>15J</u>	<u>4U</u>		View
Pierce	Cement Masons	Journey Level	\$69.59	<u>15J</u>	<u>4U</u>		View
Pierce	Cement Masons	Patching Concrete	\$69.59	<u>15J</u>	<u>4U</u>		View
Pierce	Cement Masons	Pneumatic Power Tools	\$70.09	<u>15J</u>	<u>4U</u>		View
Pierce	Cement Masons	Power Chipping & Brushing	\$70.09	<u>15J</u>	<u>4U</u>		View
Pierce	Cement Masons	Sand Blasting Architectural Finish	\$70.09	<u>15J</u>	<u>4U</u>		View
Pierce	Cement Masons	Screed & Rodding Machine	\$70.09	<u>15J</u>	<u>4U</u>		View
Pierce	Cement Masons	Spackling or Skim Coat Concrete	\$69.59	<u>15J</u>	<u>4U</u>		View
Pierce	Cement Masons	Troweling Machine Operator	\$70.09	<u>15J</u>	<u>4U</u>		View
Pierce	Cement Masons	Troweling Machine Operator on Colored Slabs	\$70.09	<u>15J</u>	<u>4U</u>		View
Pierce	Cement Masons	Tunnel Workers	\$70.09	<u>15J</u>	<u>4U</u>		View
Pierce	Divers & Tenders	Bell/Vehicle or Submersible Operator (Not Under Pressure)	\$126.05	<u>15J</u>	<u>4C</u>		View
Pierce	Divers & Tenders	Dive Supervisor/Master	\$89.94	<u>15J</u>	<u>4C</u>		View
Pierce	Divers & Tenders	Diver	\$126.05	<u>15J</u>	<u>4C</u>	<u>8V</u>	View
Pierce	Divers & Tenders	Diver On Standby	\$84.94	<u>15J</u>	<u>4C</u>		View
Pierce	Divers & Tenders	Diver Tender	\$77.16	<u>15J</u>	<u>4C</u>		View
Pierce	Divers & Tenders	Hyperbaric Worker - Compressed Air Worker 0-30.00 PSI	\$89.09	<u>15J</u>	<u>4C</u>		View
Pierce	Divers & Tenders	Hyperbaric Worker - Compressed Air Worker 30.01 - 44.00 PSI	\$94.09	<u>15J</u>	<u>4C</u>		View
Pierce	Divers & Tenders	Hyperbaric Worker - Compressed Air Worker 44.01 - 54.00 PSI	\$107.09	<u>15J</u>	<u>4C</u>		View

Pierce	Divers & Tenders	Hyperbaric Worker - Compressed Air Worker 54.01 - 60.00 PSI	\$103.09	15J	4C		View
Pierce	Divers & Tenders	Hyperbaric Worker - Compressed Air Worker 60.01 - 64.00 PSI	\$105.59	15J	4C		View
Pierce	Divers & Tenders	Hyperbaric Worker - Compressed Air Worker 64.01 - 68.00 PSI	\$110.59	15J	4C		View
Pierce	Divers & Tenders	Hyperbaric Worker - Compressed Air Worker 68.01 - 70.00 PSI	\$112.59	15J	4C		View
Pierce	Divers & Tenders	Hyperbaric Worker - Compressed Air Worker 70.01 - 72.00 PSI	\$114.59	15J	4C		View
Pierce	Divers & Tenders	Hyperbaric Worker - Compressed Air Worker 72.01 - 74.00 PSI	\$116.59	15J	4C		View
Pierce	Divers & Tenders	Manifold Operator	\$77.16	15J	4C		View
Pierce	Divers & Tenders	Manifold Operator Mixed Gas	\$82.16	15J	4C		View
Pierce	Divers & Tenders	Remote Operated Vehicle Operator/Technician	\$77.16	15J	4C		View
Pierce	Divers & Tenders	Remote Operated Vehicle Tender	\$71.98	15J	4C		View
Pierce	Dredge Workers	Assistant Engineer	\$76.56	5D	3F		View
Pierce	Dredge Workers	Assistant Mate (Deckhand)	\$75.97	5D	3F		View
Pierce	Dredge Workers	Boatmen	\$76.56	5D	3F		View
Pierce	Dredge Workers	Engineer Welder	\$78.03	5D	3F		View
Pierce	Dredge Workers	Leverman, Hydraulic	\$79.59	5D	3F		View
Pierce	Dredge Workers	Mates	\$76.56	5D	3F		View
Pierce	Dredge Workers	Oiler	\$75.97	5D	3F		View
Pierce	Drywall Applicator	Journey Level	\$71.53	15J	4C		View
Pierce	Drywall Tapers	Journey Level	\$70.61	5P	1E		View
Pierce	Electrical Fixture Maintenance Workers	Journey Level	\$17.76		1		View
Pierce	Electricians - Inside	Cable Splicer	\$84.08	5C	1G		View
Pierce	Electricians - Inside	Journey Level	\$78.57	5C	1G		View
Pierce	Electricians - Inside	Lead Covered Cable Splicer	\$89.58	5C	1G		View
Pierce	Electricians - Inside	Welder	\$84.08	5C	1G		View
Pierce	Electricians - Motor Shop	Craftsman	\$15.74		1		View
Pierce	Electricians - Motor Shop	Journey Level	\$15.74		1		View
Pierce	Electricians - Powerline Construction	Cable Splicer	\$88.89	5A	4D		View
Pierce	Electricians - Powerline Construction	Certified Line Welder	\$81.65	5A	4D		View
Pierce	Electricians - Powerline Construction	Groundperson	\$52.91	5A	4D		View
Pierce	Electricians - Powerline Construction	Heavy Line Equipment Operator	\$81.65	5A	4D		View
Pierce	Electricians - Powerline Construction	Journey Level Lineperson	\$81.65	5A	4D		View
Pierce	Electricians - Powerline Construction	Line Equipment Operator	\$70.02	5A	4D		View
Pierce	Electricians - Powerline Construction	Meter Installer	\$52.91	5A	4D	8W	View
Pierce	Electricians - Powerline Construction	Pole Sprayer	\$81.65	5A	4D		View
Pierce	Electricians - Powerline Construction	Powderperson	\$60.75	5A	4D		View
Pierce	Electronic Technicians	Journey Level	\$51.14	6Z	1B		View
Pierce	Elevator Constructors	Mechanic	\$103.81	7D	4A		View
Pierce	Elevator Constructors	Mechanic In Charge	\$112.09	7D	4A		View
Pierce	Fabricated Precast Concrete Products	Journey Level	\$15.74		1		View
Pierce	Fence Erectors	Fence Erector	\$48.14	15J	4V	8Y	View
Pierce	Fence Erectors	Fence Laborer	\$48.14	15J	4V	8Y	View
Pierce	Flaggers	Journey Level	\$48.14	15J	4V	8Y	View
Pierce	Glaziers	Journey Level	\$75.91	7L	1Y		View
Pierce	Heat & Frost Insulators And Asbestos Workers	Journey Level	\$84.58	15H	11C		View
Pierce	Heating Equipment Mechanics	Journey Level	\$94.11	7F	1E		View
Pierce	Hod Carriers & Mason Tenders	Journey Level	\$59.85	15J	4V	8Y	View
Pierce	Industrial Power Vacuum Cleaner	Journey Level	\$15.74		1		View
Pierce	Inland Boatmen	Boat Operator	\$61.41	5B	1K		View
Pierce	Inland Boatmen	Cook	\$56.48	5B	1K		View
Pierce	Inland Boatmen	Deckhand	\$57.48	5B	1K		View

Pierce	Inland Boatmen	Deckhand Engineer	\$58.81	<u>5B</u>	<u>1K</u>		View
Pierce	Inland Boatmen	Launch Operator	\$58.89	<u>5B</u>	<u>1K</u>		View
Pierce	Inland Boatmen	Mate	\$57.31	<u>5B</u>	<u>1K</u>		View
Pierce	Inspection/Cleaning/Sealing Of Sewer & Water Systems By Remote Control	Cleaner Operator, Foamer Operator	\$15.74		<u>1</u>		View
Pierce	Inspection/Cleaning/Sealing Of Sewer & Water Systems By Remote Control	Grout Truck Operator	\$15.74		<u>1</u>		View
Pierce	Inspection/Cleaning/Sealing Of Sewer & Water Systems By Remote Control	Head Operator	\$15.74		<u>1</u>		View
Pierce	Inspection/Cleaning/Sealing Of Sewer & Water Systems By Remote Control	Technician	\$15.74		<u>1</u>		View
Pierce	Inspection/Cleaning/Sealing Of Sewer & Water Systems By Remote Control	Tv Truck Operator	\$15.74		<u>1</u>		View
Pierce	Insulation Applicators	Journey Level	\$71.53	<u>15J</u>	<u>4C</u>		View
Pierce	Ironworkers	Journeyman	\$82.03	<u>7N</u>	<u>10</u>		View
Pierce	Laborers	Air, Gas Or Electric Vibrating Screed	\$56.80	<u>15J</u>	<u>4V</u>	<u>8Y</u>	View
Pierce	Laborers	Airtrac Drill Operator	\$58.56	<u>15J</u>	<u>4V</u>	<u>8Y</u>	View
Pierce	Laborers	Ballast Regular Machine	\$56.80	<u>15J</u>	<u>4V</u>	<u>8Y</u>	View
Pierce	Laborers	Batch Weighman	\$48.14	<u>15J</u>	<u>4V</u>	<u>8Y</u>	View
Pierce	Laborers	Brick Pavers	\$56.80	<u>15J</u>	<u>4V</u>	<u>8Y</u>	View
Pierce	Laborers	Brush Cutter	\$56.80	<u>15J</u>	<u>4V</u>	<u>8Y</u>	View
Pierce	Laborers	Brush Hog Feeder	\$56.80	<u>15J</u>	<u>4V</u>	<u>8Y</u>	View
Pierce	Laborers	Burner	\$56.80	<u>15J</u>	<u>4V</u>	<u>8Y</u>	View
Pierce	Laborers	Caisson Worker	\$58.56	<u>15J</u>	<u>4V</u>	<u>8Y</u>	View
Pierce	Laborers	Carpenter Tender	\$56.80	<u>15J</u>	<u>4V</u>	<u>8Y</u>	View
Pierce	Laborers	Cement Dumper-paving	\$57.84	<u>15J</u>	<u>4V</u>	<u>8Y</u>	View
Pierce	Laborers	Cement Finisher Tender	\$56.80	<u>15J</u>	<u>4V</u>	<u>8Y</u>	View
Pierce	Laborers	Change House Or Dry Shack	\$56.80	<u>15J</u>	<u>4V</u>	<u>8Y</u>	View
Pierce	Laborers	Chipping Gun (30 Lbs. And Over)	\$57.84	<u>15J</u>	<u>4V</u>	<u>8Y</u>	View
Pierce	Laborers	Chipping Gun (Under 30 Lbs.)	\$56.80	<u>15J</u>	<u>4V</u>	<u>8Y</u>	View
Pierce	Laborers	Choker Setter	\$56.80	<u>15J</u>	<u>4V</u>	<u>8Y</u>	View
Pierce	Laborers	Chuck Tender	\$56.80	<u>15J</u>	<u>4V</u>	<u>8Y</u>	View
Pierce	Laborers	Clary Power Spreader	\$57.84	<u>15J</u>	<u>4V</u>	<u>8Y</u>	View
Pierce	Laborers	Clean-up Laborer	\$56.80	<u>15J</u>	<u>4V</u>	<u>8Y</u>	View
Pierce	Laborers	Concrete Dumper/Chute Operator	\$57.84	<u>15J</u>	<u>4V</u>	<u>8Y</u>	View
Pierce	Laborers	Concrete Form Stripper	\$56.80	<u>15J</u>	<u>4V</u>	<u>8Y</u>	View
Pierce	Laborers	Concrete Placement Crew	\$57.84	<u>15J</u>	<u>4V</u>	<u>8Y</u>	View
Pierce	Laborers	Concrete Saw Operator/Core Driller	\$57.84	<u>15J</u>	<u>4V</u>	<u>8Y</u>	View
Pierce	Laborers	Crusher Feeder	\$48.14	<u>15J</u>	<u>4V</u>	<u>8Y</u>	View
Pierce	Laborers	Curing Laborer	\$56.80	<u>15J</u>	<u>4V</u>	<u>8Y</u>	View
Pierce	Laborers	Demolition: Wrecking & Moving (Incl. Charred Material)	\$56.80	<u>15J</u>	<u>4V</u>	<u>8Y</u>	View
Pierce	Laborers	Ditch Digger	\$56.80	<u>15J</u>	<u>4V</u>	<u>8Y</u>	View
Pierce	Laborers	Diver	\$58.56	<u>15J</u>	<u>4V</u>	<u>8Y</u>	View
Pierce	Laborers	Drill Operator (Hydraulic, Diamond)	\$57.84	<u>15J</u>	<u>4V</u>	<u>8Y</u>	View
Pierce	Laborers	Dry Stack Walls	\$56.80	<u>15J</u>	<u>4V</u>	<u>8Y</u>	View
Pierce	Laborers	Dump Person	\$56.80	<u>15J</u>	<u>4V</u>	<u>8Y</u>	View
Pierce	Laborers	Epoxy Technician	\$56.80	<u>15J</u>	<u>4V</u>	<u>8Y</u>	View
Pierce	Laborers	Erosion Control Worker	\$56.80	<u>15J</u>	<u>4V</u>	<u>8Y</u>	View
Pierce	Laborers	Faller & Bucker Chain Saw	\$57.84	<u>15J</u>	<u>4V</u>	<u>8Y</u>	View
Pierce	Laborers	Fine Graders	\$56.80	<u>15J</u>	<u>4V</u>	<u>8Y</u>	View
Pierce	Laborers	Firewatch	\$48.14	<u>15J</u>	<u>4V</u>	<u>8Y</u>	View
Pierce	Laborers	Form Setter	\$57.84	<u>15J</u>	<u>4V</u>	<u>8Y</u>	View
Pierce	Laborers	Gabian Basket Builders	\$56.80	<u>15J</u>	<u>4V</u>	<u>8Y</u>	View
Pierce	Laborers	General Laborer	\$56.80	<u>15J</u>	<u>4V</u>	<u>8Y</u>	View
Pierce	Laborers	Grade Checker & Transit Person	\$59.85	<u>15J</u>	<u>4V</u>	<u>8Y</u>	View

Pierce	Laborers	Grinders	\$56.80	15J	4V	8Y	View
Pierce	Laborers	Grout Machine Tender	\$56.80	15J	4V	8Y	View
Pierce	Laborers	Groutmen (Pressure) Including Post Tension Beams	\$57.84	15J	4V	8Y	View
Pierce	Laborers	Guardrail Erector	\$56.80	15J	4V	8Y	View
Pierce	Laborers	Hazardous Waste Worker (Level A)	\$58.56	15J	4V	8Y	View
Pierce	Laborers	Hazardous Waste Worker (Level B)	\$57.84	15J	4V	8Y	View
Pierce	Laborers	Hazardous Waste Worker (Level C)	\$56.80	15J	4V	8Y	View
Pierce	Laborers	High Scaler	\$58.56	15J	4V	8Y	View
Pierce	Laborers	Jackhammer	\$57.84	15J	4V	8Y	View
Pierce	Laborers	Laserbeam Operator	\$57.84	15J	4V	8Y	View
Pierce	Laborers	Maintenance Person	\$56.80	15J	4V	8Y	View
Pierce	Laborers	Manhole Builder-Mudman	\$57.84	15J	4V	8Y	View
Pierce	Laborers	Material Yard Person	\$56.80	15J	4V	8Y	View
Pierce	Laborers	Mold Abatement Worker	\$56.80	15J	4V	8Y	View
Pierce	Laborers	Motorman-Dinky Locomotive	\$59.95	15J	4V	8Y	View
Pierce	Laborers	nozzleman (concrete pump, green cutter when using combination of high pressure air & water on concrete & rock, sandblast, gunite, shotcrete, water blaster, vacuum blaster)	\$59.85	15J	4V	8Y	View
Pierce	Laborers	Pavement Breaker	\$57.84	15J	4V	8Y	View
Pierce	Laborers	Pilot Car	\$48.14	15J	4V	8Y	View
Pierce	Laborers	Pipe Layer (Lead)	\$59.85	15J	4V	8Y	View
Pierce	Laborers	Pipe Layer/Tailor	\$57.84	15J	4V	8Y	View
Pierce	Laborers	Pipe Pot Tender	\$57.84	15J	4V	8Y	View
Pierce	Laborers	Pipe Reliner	\$57.84	15J	4V	8Y	View
Pierce	Laborers	Pipe Wrapper	\$57.84	15J	4V	8Y	View
Pierce	Laborers	Pot Tender	\$56.80	15J	4V	8Y	View
Pierce	Laborers	Powderman	\$58.56	15J	4V	8Y	View
Pierce	Laborers	Powderman's Helper	\$56.80	15J	4V	8Y	View
Pierce	Laborers	Power Jacks	\$57.84	15J	4V	8Y	View
Pierce	Laborers	Railroad Spike Puller - Power	\$57.84	15J	4V	8Y	View
Pierce	Laborers	Raker - Asphalt	\$59.85	15J	4V	8Y	View
Pierce	Laborers	Re-timberman	\$58.56	15J	4V	8Y	View
Pierce	Laborers	Remote Equipment Operator	\$57.84	15J	4V	8Y	View
Pierce	Laborers	Rigger/Signal Person	\$57.84	15J	4V	8Y	View
Pierce	Laborers	Rip Rap Person	\$56.80	15J	4V	8Y	View
Pierce	Laborers	Rivet Buster	\$57.84	15J	4V	8Y	View
Pierce	Laborers	Rodder	\$57.84	15J	4V	8Y	View
Pierce	Laborers	Scaffold Erector	\$56.80	15J	4V	8Y	View
Pierce	Laborers	Scale Person	\$56.80	15J	4V	8Y	View
Pierce	Laborers	Sloper (Over 20")	\$57.84	15J	4V	8Y	View
Pierce	Laborers	Sloper Sprayer	\$56.80	15J	4V	8Y	View
Pierce	Laborers	Spreader (Concrete)	\$57.84	15J	4V	8Y	View
Pierce	Laborers	Stake Hopper	\$56.80	15J	4V	8Y	View
Pierce	Laborers	Stock Piler	\$56.80	15J	4V	8Y	View
Pierce	Laborers	Swinging Stage/Boatswain Chair	\$48.14	15J	4V	8Y	View
Pierce	Laborers	Tamper & Similar Electric, Air & Gas Operated Tools	\$57.84	15J	4V	8Y	View
Pierce	Laborers	Tamper (Multiple & Self-propelled)	\$57.84	15J	4V	8Y	View
Pierce	Laborers	Timber Person - Sewer (Lagger, Shorer & Cribber)	\$57.84	15J	4V	8Y	View
Pierce	Laborers	Toolroom Person (at Jobsite)	\$56.80	15J	4V	8Y	View
Pierce	Laborers	Topper	\$56.80	15J	4V	8Y	View
Pierce	Laborers	Track Laborer	\$56.80	15J	4V	8Y	View
Pierce	Laborers	Track Liner (Power)	\$57.84	15J	4V	8Y	View
Pierce	Laborers	Traffic Control Laborer	\$51.48	15J	4V	9C	View
Pierce	Laborers	Traffic Control Supervisor	\$54.55	15J	4V	9C	View

Pierce	Laborers	Truck Spotter	\$56.80	15J	4V	8Y	View
Pierce	Laborers	Tugger Operator	\$57.84	15J	4V	8Y	View
Pierce	Laborers	Tunnel Work-Compressed Air Worker 0-30 psi	\$158.87	15J	4V	9B	View
Pierce	Laborers	Tunnel Work-Compressed Air Worker 30.01-44.00 psi	\$163.90	15J	4V	9B	View
Pierce	Laborers	Tunnel Work-Compressed Air Worker 44.01-54.00 psi	\$167.58	15J	4V	9B	View
Pierce	Laborers	Tunnel Work-Compressed Air Worker 54.01-60.00 psi	\$173.28	15J	4V	9B	View
Pierce	Laborers	Tunnel Work-Compressed Air Worker 60.01-64.00 psi	\$175.40	15J	4V	9B	View
Pierce	Laborers	Tunnel Work-Compressed Air Worker 64.01-68.00 psi	\$180.50	15J	4V	9B	View
Pierce	Laborers	Tunnel Work-Compressed Air Worker 68.01-70.00 psi	\$182.40	15J	4V	9B	View
Pierce	Laborers	Tunnel Work-Compressed Air Worker 70.01-72.00 psi	\$184.40	15J	4V	9B	View
Pierce	Laborers	Tunnel Work-Compressed Air Worker 72.01-74.00 psi	\$186.40	15J	4V	9B	View
Pierce	Laborers	Tunnel Work-Guage and Lock Tender	\$59.95	15J	4V	8Y	View
Pierce	Laborers	Tunnel Work-Miner	\$59.95	15J	4V	8Y	View
Pierce	Laborers	Vibrator	\$57.84	15J	4V	8Y	View
Pierce	Laborers	Vinyl Seamer	\$56.80	15J	4V	8Y	View
Pierce	Laborers	Watchman	\$43.76	15J	4V	8Y	View
Pierce	Laborers	Welder	\$57.84	15J	4V	8Y	View
Pierce	Laborers	Well Point Laborer	\$57.84	15J	4V	8Y	View
Pierce	Laborers	Window Washer /Cleaner	\$43.76	15J	4V	8Y	View
Pierce	Laborers - Underground Sewer & Water	General Laborer & Topman	\$56.80	15J	4V	8Y	View
Pierce	Laborers - Underground Sewer & Water	Pipe Layer	\$57.84	15J	4V	8Y	View
Pierce	Landscape Construction	Landscape Construction/Landscaping Or Planting Laborers	\$43.76	15J	4V	8Y	View
Pierce	Landscape Construction	Landscape Operator	\$75.97	15J	3K	8X	View
Pierce	Landscape Maintenance	Groundskeeper	\$17.07		1		View
Pierce	Lathers	Journey Level	\$71.53	15J	4C		View
Pierce	Marble Setters	Journey Level	\$66.32	7E	1N		View
Pierce	Metal Fabrication (In Shop)	Fitter	\$15.74		1		View
Pierce	Metal Fabrication (In Shop)	Laborer	\$15.74		1		View
Pierce	Metal Fabrication (In Shop)	Machine Operator	\$15.74		1		View
Pierce	Metal Fabrication (In Shop)	Welder	\$15.74		1		View
Pierce	Millwright	Journey Level	\$73.08	15J	4C		View
Pierce	Modular Buildings	Journey Level	\$15.74		1		View
Pierce	Painters	Journey Level	\$49.46	6Z	11J		View
Pierce	Pile Driver	Crew Tender	\$77.16	15J	4C		View
Pierce	Pile Driver	Journey Level	\$71.98	15J	4C		View
Pierce	Plasterers	Journey Level	\$67.49	7Q	1R		View
Pierce	Plasterers	Nozzleman	\$71.49	7Q	1R		View
Pierce	Playground & Park Equipment Installers	Journey Level	\$15.74		1		View
Pierce	Plumbers & Pipefitters	Journey Level	\$83.47	5A	1G		View
Pierce	Power Equipment Operators	Asphalt Plant Operator	\$77.24	15J	3K	8X	View
Pierce	Power Equipment Operators	Assistant Engineer	\$75.55	7A	11H	8X	View
Pierce	Power Equipment Operators	Barrier Machine (zipper)	\$76.56	15J	3K	8X	View
Pierce	Power Equipment Operators	Batch Plant Operator: Concrete	\$76.56	15J	3K	8X	View
Pierce	Power Equipment Operators	Bobcat	\$72.66	15J	3K	8X	View
Pierce	Power Equipment Operators	Brokk - Remote Demolition Equipment	\$72.66	15J	3K	8X	View
Pierce	Power Equipment Operators	Brooms	\$72.66	15J	3K	8X	View
Pierce	Power Equipment Operators	Bump Cutter	\$76.56	15J	3K	8X	View

Pierce	Power Equipment Operators	Cableways	\$77.24	15J	3K	8X	View
Pierce	Power Equipment Operators	Chipper	\$76.56	15J	3K	8X	View
Pierce	Power Equipment Operators	Compressor	\$72.66	15J	3K	8X	View
Pierce	Power Equipment Operators	Concrete Pump: Truck Mount With Boom Attachment Over 42m	\$77.24	15J	3K	8X	View
Pierce	Power Equipment Operators	Concrete Finish Machine -laser Screed	\$72.66	15J	3K	8X	View
Pierce	Power Equipment Operators	Concrete Pump - Mounted Or Trailer High Pressure Line Pump, Pump High Pressure	\$75.97	15J	3K	8X	View
Pierce	Power Equipment Operators	Concrete Pump: Truck Mount With Boom Attachment Up To 42m	\$76.56	15J	3K	8X	View
Pierce	Power Equipment Operators	Conveyors	\$75.97	15J	3K	8X	View
Pierce	Power Equipment Operators	Cranes Friction: 200 tons and over	\$82.76	7A	11H	8X	View
Pierce	Power Equipment Operators	Cranes, A-frame: 10 tons and under	\$75.55	7A	11H	8X	View
Pierce	Power Equipment Operators	Cranes: 100 tons through 199 tons, or 150' of boom (including jib with attachments)	\$81.12	7A	11H	8X	View
Pierce	Power Equipment Operators	Cranes: 20 tons through 44 tons with attachments	\$79.62	7A	11H	8X	View
Pierce	Power Equipment Operators	Cranes: 200 tons- 299 tons, or 250' of boom including jib with attachments	\$81.97	7A	11H	8X	View
Pierce	Power Equipment Operators	Cranes: 300 tons and over or 300' of boom including jib with attachments	\$82.76	7A	11H	8X	View
Pierce	Power Equipment Operators	Cranes: 45 tons through 99 tons, under 150' of boom(including jib with attachments)	\$80.33	7A	11H	8X	View
Pierce	Power Equipment Operators	Cranes: Friction cranes through 199 tons	\$81.97	7A	11H	8X	View
Pierce	Power Equipment Operators	Cranes: through 19 tons with attachments, A-frame over 10 tons	\$79.00	7A	11H	8X	View
Pierce	Power Equipment Operators	Crusher	\$76.56	15J	3K	8X	View
Pierce	Power Equipment Operators	Deck Engineer /deck Winches (power)	\$76.56	15J	3K	8X	View
Pierce	Power Equipment Operators	Derricks: on building work	\$80.33	7A	11H	8X	View
Pierce	Power Equipment Operators	Dozers D-9 & Under	\$75.97	15J	3K	8X	View
Pierce	Power Equipment Operators	Drill Oilers: Auger Type, Truck Or Crane Mount	\$75.97	15J	3K	8X	View
Pierce	Power Equipment Operators	Drilling Machine	\$78.03	15J	3K	8X	View
Pierce	Power Equipment Operators	Elevator and man-lift: permanent and shaft type	\$75.55	7A	11H	8X	View
Pierce	Power Equipment Operators	Finishing Machine, Bidwell And Gamaco & Similar Equipment	\$76.56	15J	3K	8X	View
Pierce	Power Equipment Operators	Forklift: 3000 lbs and over with attachments	\$79.00	7A	11H	8X	View
Pierce	Power Equipment Operators	Forklifts: under 3000 lbs. with attachments	\$75.55	7A	11H	8X	View
Pierce	Power Equipment Operators	Grade Engineer: Using Blueprints, Cut Sheets,etc.	\$76.56	15J	3K	8X	View
Pierce	Power Equipment Operators	Gradechecker/stakeman	\$72.66	15J	3K	8X	View
Pierce	Power Equipment Operators	Guardrail punch/Auger	\$76.56	15J	3K	8X	View
Pierce	Power Equipment Operators	Hard Tail End Dump Articulating Off-Road Equipment 45 Yards. & Over	\$77.24	15J	3K	8X	View
Pierce	Power Equipment Operators	Hard Tail End Dump Articulating Off-road Equipment Under 45 Yards	\$76.56	15J	3K	8X	View
Pierce	Power Equipment Operators	Horizontal/directional Drill Locator	\$75.97	15J	3K	8X	View
Pierce	Power Equipment Operators	Horizontal/directional Drill Operator	\$76.56	15J	3K	8X	View
Pierce	Power Equipment Operators	Hydralifts/boom trucks: 10 tons and under	\$75.55	7A	11H	8X	View
Pierce	Power Equipment Operators	Hydralifts/boom trucks: over 10 tons	\$79.00	7A	11H	8X	View
Pierce	Power Equipment Operators	Loader, Overhead 8 Yards. & Over	\$78.03	15J	3K	8X	View
Pierce	Power Equipment Operators	Loader, Overhead, 6 Yards. But Not Including 8 Yards	\$77.24	15J	3K	8X	View
Pierce	Power Equipment Operators	Loaders, Overhead Under 6 Yards	\$76.56	15J	3K	8X	View

Pierce	Power Equipment Operators	Loaders, Plant Feed	\$76.56	15J	3K	8X	View
Pierce	Power Equipment Operators	Loaders: Elevating Type Belt	\$75.97	15J	3K	8X	View
Pierce	Power Equipment Operators	Locomotives, All	\$76.56	15J	3K	8X	View
Pierce	Power Equipment Operators	Material Transfer Device	\$76.56	15J	3K	8X	View
Pierce	Power Equipment Operators	Mechanics: all (Leadmen - \$0.50 per hour over mechanic)	\$81.12	7A	11H	8X	View
Pierce	Power Equipment Operators	Motor patrol graders	\$77.24	15J	3K	8X	View
Pierce	Power Equipment Operators	Mucking Machine, Mole, Tunnel Drill, Boring, Road Header And/or Shield	\$77.24	15J	3K	8X	View
Pierce	Power Equipment Operators	Oil Distributors, Blower Distribution & Mulch Seeding Operator	\$72.66	15J	3K	8X	View
Pierce	Power Equipment Operators	Outside Hoists (elevators and manlifts), Air Tuggers, Strato	\$79.00	7A	11H	8X	View
Pierce	Power Equipment Operators	Overhead, bridge type Crane: 20 tons through 44 tons	\$79.62	7A	11H	8X	View
Pierce	Power Equipment Operators	Overhead, bridge type: 100 tons and over	\$81.12	7A	11H	8X	View
Pierce	Power Equipment Operators	Overhead, bridge type: 45 tons through 99 tons	\$80.33	7A	11H	8X	View
Pierce	Power Equipment Operators	Pavement Breaker	\$72.66	15J	3K	8X	View
Pierce	Power Equipment Operators	Pile Driver (other Than Crane Mount)	\$76.56	15J	3K	8X	View
Pierce	Power Equipment Operators	Plant Oiler - Asphalt, Crusher	\$75.97	15J	3K	8X	View
Pierce	Power Equipment Operators	Posthole Digger, Mechanical	\$72.66	15J	3K	8X	View
Pierce	Power Equipment Operators	Power Plant	\$72.66	15J	3K	8X	View
Pierce	Power Equipment Operators	Pumps - Water	\$72.66	15J	3K	8X	View
Pierce	Power Equipment Operators	Quad 9, HD 41, D10 And Over	\$77.24	15J	3K	8X	View
Pierce	Power Equipment Operators	Quick Tower: no cab, under 100 feet in height based to boom	\$75.55	7A	11H	8X	View
Pierce	Power Equipment Operators	Remote Control Operator On Rubber Tired Earth Moving Equipment	\$77.24	15J	3K	8X	View
Pierce	Power Equipment Operators	Rigger and Bellman	\$75.55	7A	11H	8X	View
Pierce	Power Equipment Operators	Rigger/Signal Person, Bellman(Certified)	\$79.00	7A	11H	8X	View
Pierce	Power Equipment Operators	Rollagon	\$77.24	15J	3K	8X	View
Pierce	Power Equipment Operators	Roller, Other Than Plant Mix	\$72.66	15J	3K	8X	View
Pierce	Power Equipment Operators	Roller, Plant Mix Or Multi-lift Materials	\$75.97	15J	3K	8X	View
Pierce	Power Equipment Operators	Roto-mill, Roto-grinder	\$76.56	15J	3K	8X	View
Pierce	Power Equipment Operators	Saws - Concrete	\$75.97	15J	3K	8X	View
Pierce	Power Equipment Operators	Scraper, Self Propelled Under 45 Yards	\$76.56	15J	3K	8X	View
Pierce	Power Equipment Operators	Scrapers - Concrete & Carry All	\$75.97	15J	3K	8X	View
Pierce	Power Equipment Operators	Scrapers, Self-propelled: 45 Yards And Over	\$77.24	15J	3K	8X	View
Pierce	Power Equipment Operators	Service Engineers: equipment	\$79.00	7A	11H	8X	View
Pierce	Power Equipment Operators	Shotcrete/gunite Equipment	\$72.66	15J	3K	8X	View
Pierce	Power Equipment Operators	Shovel, Excavator, Backhoe, Tractors Under 15 Metric Tons	\$75.97	15J	3K	8X	View
Pierce	Power Equipment Operators	Shovel, Excavator, Backhoe: Over 30 Metric Tons To 50 Metric Tons	\$77.24	15J	3K	8X	View
Pierce	Power Equipment Operators	Shovel, Excavator, Backhoes, Tractors: 15 To 30 Metric Tons	\$76.56	15J	3K	8X	View
Pierce	Power Equipment Operators	Shovel, Excavator, Backhoes: Over 50 Metric Tons To 90 Metric Tons	\$78.03	15J	3K	8X	View
Pierce	Power Equipment Operators	Shovel, Excavator, Backhoes: Over 90 Metric Tons	\$78.81	15J	3K	8X	View
Pierce	Power Equipment Operators	Slipform Pavers	\$77.24	15J	3K	8X	View
Pierce	Power Equipment Operators	Spreader, Topsider & Screedman	\$77.24	15J	3K	8X	View
Pierce	Power Equipment Operators	Subgrader Trimmer	\$76.56	15J	3K	8X	View
Pierce	Power Equipment Operators	Tower Bucket Elevators	\$75.97	15J	3K	8X	View
Pierce	Power Equipment Operators	Tower Crane: over 175' through 250' in height, base to boom	\$81.97	7A	11H	8X	View
Pierce	Power Equipment Operators	Tower crane: up to 175' in height	\$81.12	7A	11H	8X	View

		base to boom					
Pierce	Power Equipment Operators	Tower Cranes: over 250' in height from base to boom.	\$82.76	7A	11H	8X	View
Pierce	Power Equipment Operators	Transporters, All Track Or Truck Type	\$77.24	15J	3K	8X	View
Pierce	Power Equipment Operators	Trenching Machines	\$75.97	15J	3K	8X	View
Pierce	Power Equipment Operators	Truck Crane Oiler/Driver: 100 tons and over	\$79.62	7A	11H	8X	View
Pierce	Power Equipment Operators	Truck crane oiler/driver: under 100 tons	\$79.00	7A	11H	8X	View
Pierce	Power Equipment Operators	Truck Mount Portable Conveyor	\$76.56	15J	3K	8X	View
Pierce	Power Equipment Operators	Vac Truck (Vactor Guzzler, Hydro Excavator)	\$76.56	15J	3K	8X	View
Pierce	Power Equipment Operators	Welder	\$80.33	7A	11H	8X	View
Pierce	Power Equipment Operators	Wheel Tractors, Farmall Type	\$72.66	15J	3K	8X	View
Pierce	Power Equipment Operators	Yo Yo Pay Dozer	\$76.56	15J	3K	8X	View
Pierce	Power Equipment Operators-Underground Sewer & Water	Asphalt Plant Operator	\$77.24	15J	3K	8X	View
Pierce	Power Equipment Operators-Underground Sewer & Water	Assistant Engineer	\$75.55	7A	11H	8X	View
Pierce	Power Equipment Operators-Underground Sewer & Water	Barrier Machine (zipper)	\$76.56	15J	3K	8X	View
Pierce	Power Equipment Operators-Underground Sewer & Water	Batch Plant Operator: Concrete	\$76.56	15J	3K	8X	View
Pierce	Power Equipment Operators-Underground Sewer & Water	Bobcat	\$72.66	15J	3K	8X	View
Pierce	Power Equipment Operators-Underground Sewer & Water	Brokk - Remote Demolition Equipment	\$72.66	15J	3K	8X	View
Pierce	Power Equipment Operators-Underground Sewer & Water	Brooms	\$72.66	15J	3K	8X	View
Pierce	Power Equipment Operators-Underground Sewer & Water	Bump Cutter	\$76.56	15J	3K	8X	View
Pierce	Power Equipment Operators-Underground Sewer & Water	Cableways	\$77.24	15J	3K	8X	View
Pierce	Power Equipment Operators-Underground Sewer & Water	Chipper	\$76.56	15J	3K	8X	View
Pierce	Power Equipment Operators-Underground Sewer & Water	Compressor	\$72.66	15J	3K	8X	View
Pierce	Power Equipment Operators-Underground Sewer & Water	Concrete Pump: Truck Mount With Boom Attachment Over 42m	\$77.24	15J	3K	8X	View
Pierce	Power Equipment Operators-Underground Sewer & Water	Concrete Finish Machine -laser Screed	\$72.66	15J	3K	8X	View
Pierce	Power Equipment Operators-Underground Sewer & Water	Concrete Pump - Mounted Or Trailer High Pressure Line Pump, Pump High Pressure	\$75.97	15J	3K	8X	View
Pierce	Power Equipment Operators-Underground Sewer & Water	Concrete Pump: Truck Mount With Boom Attachment Up To 42m	\$76.56	15J	3K	8X	View
Pierce	Power Equipment Operators-Underground Sewer & Water	Conveyors	\$75.97	15J	3K	8X	View
Pierce	Power Equipment Operators-Underground Sewer & Water	Cranes Friction: 200 tons and over	\$82.76	7A	11H	8X	View
Pierce	Power Equipment Operators-Underground Sewer & Water	Cranes, A-frame: 10 tons and under	\$75.55	7A	11H	8X	View
Pierce	Power Equipment Operators-Underground Sewer & Water	Cranes: 100 tons through 199 tons, or 150' of boom (including jib with attachments)	\$81.12	7A	11H	8X	View
Pierce	Power Equipment Operators-Underground Sewer & Water	Cranes: 20 tons through 44 tons with attachments	\$79.62	7A	11H	8X	View
Pierce	Power Equipment Operators-Underground Sewer & Water	Cranes: 200 tons- 299 tons, or 250' of boom including jib with attachments	\$81.97	7A	11H	8X	View
Pierce	Power Equipment Operators-Underground Sewer & Water	Cranes: 300 tons and over or 300' of boom including jib with attachments	\$82.76	7A	11H	8X	View
Pierce	Power Equipment Operators-Underground Sewer & Water	Cranes: 45 tons through 99 tons, under 150' of boom(including jib with attachments)	\$80.33	7A	11H	8X	View
Pierce	Power Equipment Operators-Underground Sewer & Water	Cranes: Friction cranes through 199 tons	\$81.97	7A	11H	8X	View

Pierce	Power Equipment Operators-Underground Sewer & Water	Cranes: through 19 tons with attachments, A-frame over 10 tons	\$79.00	7A	11H	8X	View
Pierce	Power Equipment Operators-Underground Sewer & Water	Crusher	\$76.56	15J	3K	8X	View
Pierce	Power Equipment Operators-Underground Sewer & Water	Deck Engineer/deck Winches (power)	\$76.56	15J	3K	8X	View
Pierce	Power Equipment Operators-Underground Sewer & Water	Derricks: on building work	\$80.33	7A	11H	8X	View
Pierce	Power Equipment Operators-Underground Sewer & Water	Dozers D-9 & Under	\$75.97	15J	3K	8X	View
Pierce	Power Equipment Operators-Underground Sewer & Water	Drill Oilers: Auger Type, Truck Or Crane Mount	\$75.97	15J	3K	8X	View
Pierce	Power Equipment Operators-Underground Sewer & Water	Drilling Machine	\$78.03	15J	3K	8X	View
Pierce	Power Equipment Operators-Underground Sewer & Water	Elevator and man-lift: permanent and shaft type	\$75.55	7A	11H	8X	View
Pierce	Power Equipment Operators-Underground Sewer & Water	Finishing Machine, Bidwell And Gamaco & Similar Equipment	\$76.56	15J	3K	8X	View
Pierce	Power Equipment Operators-Underground Sewer & Water	Forklift: 3000 lbs and over with attachments	\$79.00	7A	11H	8X	View
Pierce	Power Equipment Operators-Underground Sewer & Water	Forklifts: under 3000 lbs. with attachments	\$75.55	7A	11H	8X	View
Pierce	Power Equipment Operators-Underground Sewer & Water	Grade Engineer: Using Blueprints, Cut Sheets, etc.	\$76.56	15J	3K	8X	View
Pierce	Power Equipment Operators-Underground Sewer & Water	Gradechecker/stakeman	\$72.66	15J	3K	8X	View
Pierce	Power Equipment Operators-Underground Sewer & Water	Guardrail punch/Auger	\$76.56	15J	3K	8X	View
Pierce	Power Equipment Operators-Underground Sewer & Water	Hard Tail End Dump Articulating Off-Road Equipment 45 Yards. & Over	\$77.24	15J	3K	8X	View
Pierce	Power Equipment Operators-Underground Sewer & Water	Hard Tail End Dump Articulating Off-road Equipment Under 45 Yards	\$76.56	15J	3K	8X	View
Pierce	Power Equipment Operators-Underground Sewer & Water	Horizontal/directional Drill Locator	\$75.97	15J	3K	8X	View
Pierce	Power Equipment Operators-Underground Sewer & Water	Horizontal/directional Drill Operator	\$76.56	15J	3K	8X	View
Pierce	Power Equipment Operators-Underground Sewer & Water	Hydralifts/boom trucks: 10 tons and under	\$75.55	7A	11H	8X	View
Pierce	Power Equipment Operators-Underground Sewer & Water	Hydralifts/boom trucks: over 10 tons	\$79.00	7A	11H	8X	View
Pierce	Power Equipment Operators-Underground Sewer & Water	Loader, Overhead 8 Yards. & Over	\$78.03	15J	3K	8X	View
Pierce	Power Equipment Operators-Underground Sewer & Water	Loader, Overhead, 6 Yards. But Not Including 8 Yards	\$77.24	15J	3K	8X	View
Pierce	Power Equipment Operators-Underground Sewer & Water	Loaders, Overhead Under 6 Yards	\$76.56	15J	3K	8X	View
Pierce	Power Equipment Operators-Underground Sewer & Water	Loaders, Plant Feed	\$76.56	15J	3K	8X	View
Pierce	Power Equipment Operators-Underground Sewer & Water	Loaders: Elevating Type Belt	\$75.97	15J	3K	8X	View
Pierce	Power Equipment Operators-Underground Sewer & Water	Locomotives, All	\$76.56	15J	3K	8X	View
Pierce	Power Equipment Operators-Underground Sewer & Water	Material Transfer Device	\$76.56	15J	3K	8X	View
Pierce	Power Equipment Operators-Underground Sewer & Water	Mechanics: all (Leadmen - \$0.50 per hour over mechanic)	\$81.12	7A	11H	8X	View
Pierce	Power Equipment Operators-Underground Sewer & Water	Motor patrol graders	\$77.24	15J	3K	8X	View
Pierce	Power Equipment Operators-Underground Sewer & Water	Mucking Machine, Mole, Tunnel Drill, Boring, Road Header And/or Shield	\$77.24	15J	3K	8X	View
Pierce	Power Equipment Operators-Underground Sewer & Water	Oil Distributors, Blower Distribution & Mulch Seeding Operator	\$72.66	15J	3K	8X	View
Pierce	Power Equipment Operators-Underground Sewer & Water	Outside Hoists (elevators and manlifts), Air Tuggers, Strato	\$79.00	7A	11H	8X	View
Pierce	Power Equipment Operators-Underground Sewer & Water	Overhead, bridge type Crane: 20 tons through 44 tons	\$79.62	7A	11H	8X	View
Pierce	Power Equipment Operators-	Overhead, bridge type: 100 tons and	\$81.12	7A	11H	8X	View

	Underground Sewer & Water	over					
Pierce	Power Equipment Operators- Underground Sewer & Water	Overhead, bridge type: 45 tons through 99 tons	\$80.33	7A	11H	8X	View
Pierce	Power Equipment Operators- Underground Sewer & Water	Pavement Breaker	\$72.66	15J	3K	8X	View
Pierce	Power Equipment Operators- Underground Sewer & Water	Pile Driver (other Than Crane Mount)	\$76.56	15J	3K	8X	View
Pierce	Power Equipment Operators- Underground Sewer & Water	Plant Oiler - Asphalt, Crusher	\$75.97	15J	3K	8X	View
Pierce	Power Equipment Operators- Underground Sewer & Water	Posthole Digger, Mechanical	\$72.66	15J	3K	8X	View
Pierce	Power Equipment Operators- Underground Sewer & Water	Power Plant	\$72.66	15J	3K	8X	View
Pierce	Power Equipment Operators- Underground Sewer & Water	Pumps - Water	\$72.66	15J	3K	8X	View
Pierce	Power Equipment Operators- Underground Sewer & Water	Quad 9, HD 41, D10 And Over	\$77.24	15J	3K	8X	View
Pierce	Power Equipment Operators- Underground Sewer & Water	Quick Tower: no cab, under 100 feet in height based to boom	\$75.55	7A	11H	8X	View
Pierce	Power Equipment Operators- Underground Sewer & Water	Remote Control Operator On Rubber Tired Earth Moving Equipment	\$77.24	15J	3K	8X	View
Pierce	Power Equipment Operators- Underground Sewer & Water	Rigger and Bellman	\$75.55	7A	11H	8X	View
Pierce	Power Equipment Operators- Underground Sewer & Water	Rigger/Signal Person, Bellman(Certified)	\$79.00	7A	11H	8X	View
Pierce	Power Equipment Operators- Underground Sewer & Water	Rollagon	\$77.24	15J	3K	8X	View
Pierce	Power Equipment Operators- Underground Sewer & Water	Roller, Other Than Plant Mix	\$72.66	15J	3K	8X	View
Pierce	Power Equipment Operators- Underground Sewer & Water	Roller, Plant Mix Or Multi-lift Materials	\$75.97	15J	3K	8X	View
Pierce	Power Equipment Operators- Underground Sewer & Water	Roto-mill, Roto-grinder	\$76.56	15J	3K	8X	View
Pierce	Power Equipment Operators- Underground Sewer & Water	Saws - Concrete	\$75.97	15J	3K	8X	View
Pierce	Power Equipment Operators- Underground Sewer & Water	Scraper, Self Propelled Under 45 Yards	\$76.56	15J	3K	8X	View
Pierce	Power Equipment Operators- Underground Sewer & Water	Scrapers - Concrete & Carry All	\$75.97	15J	3K	8X	View
Pierce	Power Equipment Operators- Underground Sewer & Water	Scrapers, Self-propelled: 45 Yards And Over	\$77.24	15J	3K	8X	View
Pierce	Power Equipment Operators- Underground Sewer & Water	Service Engineers: equipment	\$79.00	7A	11H	8X	View
Pierce	Power Equipment Operators- Underground Sewer & Water	Shotcrete/gunite Equipment	\$72.66	15J	3K	8X	View
Pierce	Power Equipment Operators- Underground Sewer & Water	Shovel, Excavator, Backhoe, Tractors Under 15 Metric Tons	\$75.97	15J	3K	8X	View
Pierce	Power Equipment Operators- Underground Sewer & Water	Shovel, Excavator, Backhoe: Over 30 Metric Tons To 50 Metric Tons	\$77.24	15J	3K	8X	View
Pierce	Power Equipment Operators- Underground Sewer & Water	Shovel, Excavator, Backhoes, Tractors: 15 To 30 Metric Tons	\$76.56	15J	3K	8X	View
Pierce	Power Equipment Operators- Underground Sewer & Water	Shovel, Excavator, Backhoes: Over 50 Metric Tons To 90 Metric Tons	\$78.03	15J	3K	8X	View
Pierce	Power Equipment Operators- Underground Sewer & Water	Slipform Pavers	\$77.24	15J	3K	8X	View
Pierce	Power Equipment Operators- Underground Sewer & Water	Spreader, Topsider & Screedman	\$77.24	15J	3K	8X	View
Pierce	Power Equipment Operators- Underground Sewer & Water	Subgrader Trimmer	\$76.56	15J	3K	8X	View
Pierce	Power Equipment Operators- Underground Sewer & Water	Tower Bucket Elevators	\$75.97	15J	3K	8X	View
Pierce	Power Equipment Operators- Underground Sewer & Water	Tower Crane: over 175' through 250' in height, base to boom	\$81.97	7A	11H	8X	View
Pierce	Power Equipment Operators- Underground Sewer & Water	Tower crane: up to 175' in height base to boom	\$81.12	7A	11H	8X	View
Pierce	Power Equipment Operators- Underground Sewer & Water	Tower Cranes: over 250' in height from base to boom.	\$82.76	7A	11H	8X	View

Pierce	Power Equipment Operators-Underground Sewer & Water	Transporters, All Track Or Truck Type	\$77.24	<u>15J</u>	<u>3K</u>	<u>8X</u>	View
Pierce	Power Equipment Operators-Underground Sewer & Water	Trenching Machines	\$75.97	<u>15J</u>	<u>3K</u>	<u>8X</u>	View
Pierce	Power Equipment Operators-Underground Sewer & Water	Truck Crane Oiler/Driver: 100 tons and over	\$79.62	<u>7A</u>	<u>11H</u>	<u>8X</u>	View
Pierce	Power Equipment Operators-Underground Sewer & Water	Truck crane oiler/driver: under 100 tons	\$79.00	<u>7A</u>	<u>11H</u>	<u>8X</u>	View
Pierce	Power Equipment Operators-Underground Sewer & Water	Truck Mount Portable Conveyor	\$76.56	<u>15J</u>	<u>3K</u>	<u>8X</u>	View
Pierce	Power Equipment Operators-Underground Sewer & Water	Vac Truck (Vactor Guzzler, Hydro Excavator)	\$76.56	<u>15J</u>	<u>3K</u>	<u>8X</u>	View
Pierce	Power Equipment Operators-Underground Sewer & Water	Welder	\$80.33	<u>7A</u>	<u>11H</u>	<u>8X</u>	View
Pierce	Power Equipment Operators-Underground Sewer & Water	Wheel Tractors, Farmall Type	\$72.66	<u>15J</u>	<u>3K</u>	<u>8X</u>	View
Pierce	Power Equipment Operators-Underground Sewer & Water	Yo Yo Pay Dozer	\$76.56	<u>15J</u>	<u>3K</u>	<u>8X</u>	View
Pierce	Power Line Clearance Tree Trimmers	Journey Level In Charge	\$57.22	<u>5A</u>	<u>4A</u>		View
Pierce	Power Line Clearance Tree Trimmers	Spray Person	\$54.32	<u>5A</u>	<u>4A</u>		View
Pierce	Power Line Clearance Tree Trimmers	Tree Equipment Operator	\$57.22	<u>5A</u>	<u>4A</u>		View
Pierce	Power Line Clearance Tree Trimmers	Tree Trimmer	\$51.18	<u>5A</u>	<u>4A</u>		View
Pierce	Power Line Clearance Tree Trimmers	Tree Trimmer Groundperson	\$38.99	<u>5A</u>	<u>4A</u>		View
Pierce	Refrigeration & Air Conditioning Mechanics	Journey Level	\$83.96	<u>5A</u>	<u>1G</u>		View
Pierce	Residential Brick Mason	Journey Level	\$27.02		<u>1</u>		View
Pierce	Residential Carpenters	Journey Level	\$49.92	<u>15J</u>	<u>4C</u>		View
Pierce	Residential Cement Masons	Journey Level	\$45.99		<u>1</u>		View
Pierce	Residential Drywall Applicators	Journey Level	\$71.53	<u>15J</u>	<u>4C</u>		View
Pierce	Residential Drywall Tapers	Journey Level	\$70.61	<u>5P</u>	<u>1E</u>		View
Pierce	Residential Electricians	Journey Level	\$44.11		<u>1</u>		View
Pierce	Residential Glaziers	Journey Level	\$75.91	<u>7L</u>	<u>1Y</u>		View
Pierce	Residential Insulation Applicators	Journey Level	\$24.52		<u>1</u>		View
Pierce	Residential Laborers	Journey Level	\$33.97		<u>1</u>		View
Pierce	Residential Marble Setters	Journey Level	\$29.29		<u>1</u>		View
Pierce	Residential Painters	Journey Level	\$49.46	<u>6Z</u>	<u>11J</u>		View
Pierce	Residential Plumbers & Pipefitters	Journey Level	\$83.47	<u>5A</u>	<u>1G</u>		View
Pierce	Residential Refrigeration & Air Conditioning Mechanics	Journey Level	\$83.47	<u>5A</u>	<u>1G</u>		View
Pierce	Residential Sheet Metal Workers	Journey Level	\$94.11	<u>7F</u>	<u>1E</u>		View
Pierce	Residential Soft Floor Layers	Journey Level	\$55.56	<u>5A</u>	<u>3J</u>		View
Pierce	Residential Sprinkler Fitters (Fire Protection)	Journey Level	\$55.95	<u>5C</u>	<u>2R</u>		View
Pierce	Residential Stone Masons	Journey Level	\$29.29		<u>1</u>		View
Pierce	Residential Terrazzo Workers	Journey Level	\$15.74		<u>1</u>		View
Pierce	Residential Terrazzo/Tile Finishers	Journey Level	\$21.96		<u>1</u>		View
Pierce	Residential Tile Setters	Journey Level	\$25.98		<u>1</u>		View
Pierce	Roofers	Journey Level	\$59.00	<u>5A</u>	<u>2O</u>		View
Pierce	Roofers	Using Irritable Bituminous Materials	\$62.00	<u>5A</u>	<u>2O</u>		View
Pierce	Sheet Metal Workers	Journey Level (Field or Shop)	\$94.11	<u>7F</u>	<u>1E</u>		View
Pierce	Shipbuilding & Ship Repair	New Construction Boilermaker	\$39.58	<u>7V</u>	<u>1</u>		View
Pierce	Shipbuilding & Ship Repair	New Construction Carpenter	\$39.58	<u>7V</u>	<u>1</u>		View
Pierce	Shipbuilding & Ship Repair	New Construction Crane Operator	\$39.58	<u>7V</u>	<u>1</u>		View
Pierce	Shipbuilding & Ship Repair	New Construction Electrician	\$39.58	<u>7V</u>	<u>1</u>		View
Pierce	Shipbuilding & Ship Repair	New Construction Heat & Frost Insulator	\$84.58	<u>15H</u>	<u>11C</u>		View
Pierce	Shipbuilding & Ship Repair	New Construction Laborer	\$39.58	<u>7V</u>	<u>1</u>		View
Pierce	Shipbuilding & Ship Repair	New Construction Machinist	\$39.58	<u>7V</u>	<u>1</u>		View
Pierce	Shipbuilding & Ship Repair	New Construction Operating Engineer	\$39.58	<u>7V</u>	<u>1</u>		View
Pierce	Shipbuilding & Ship Repair	New Construction Painter	\$39.58	<u>7V</u>	<u>1</u>		View
Pierce	Shipbuilding & Ship Repair	New Construction Pipefitter	\$39.58	<u>7V</u>	<u>1</u>		View

Pierce	Shipbuilding & Ship Repair	New Construction Rigger	\$39.58	<u>7V</u>	<u>1</u>		View
Pierce	Shipbuilding & Ship Repair	New Construction Sheet Metal	\$39.58	<u>7V</u>	<u>1</u>		View
Pierce	Shipbuilding & Ship Repair	New Construction Shipfitter	\$39.58	<u>7V</u>	<u>1</u>		View
Pierce	Shipbuilding & Ship Repair	New Construction Warehouse/Teamster	\$39.58	<u>7V</u>	<u>1</u>		View
Pierce	Shipbuilding & Ship Repair	New Construction Welder / Burner	\$39.58	<u>7V</u>	<u>1</u>		View
Pierce	Shipbuilding & Ship Repair	Ship Repair Boilermaker	\$50.35	<u>7X</u>	<u>4J</u>		View
Pierce	Shipbuilding & Ship Repair	Ship Repair Carpenter	\$50.95	<u>7X</u>	<u>4J</u>		View
Pierce	Shipbuilding & Ship Repair	Ship Repair Crane Operator	\$45.06	<u>7Y</u>	<u>4K</u>		View
Pierce	Shipbuilding & Ship Repair	Ship Repair Electrician	\$50.42	<u>7X</u>	<u>4J</u>		View
Pierce	Shipbuilding & Ship Repair	Ship Repair Heat & Frost Insulator	\$84.58	<u>15H</u>	<u>11C</u>		View
Pierce	Shipbuilding & Ship Repair	Ship Repair Laborer	\$50.95	<u>7X</u>	<u>4J</u>		View
Pierce	Shipbuilding & Ship Repair	Ship Repair Machinist	\$50.95	<u>7X</u>	<u>4J</u>		View
Pierce	Shipbuilding & Ship Repair	Ship Repair Operating Engineer	\$45.06	<u>7Y</u>	<u>4K</u>		View
Pierce	Shipbuilding & Ship Repair	Ship Repair Painter	\$50.95	<u>7X</u>	<u>4J</u>		View
Pierce	Shipbuilding & Ship Repair	Ship Repair Pipefitter	\$50.95	<u>7X</u>	<u>4J</u>		View
Pierce	Shipbuilding & Ship Repair	Ship Repair Rigger	\$50.35	<u>7X</u>	<u>4J</u>		View
Pierce	Shipbuilding & Ship Repair	Ship Repair Sheet Metal	\$50.35	<u>7X</u>	<u>4J</u>		View
Pierce	Shipbuilding & Ship Repair	Ship Repair Shipwright	\$50.95	<u>7X</u>	<u>4J</u>		View
Pierce	Shipbuilding & Ship Repair	Ship Repair Warehouse / Teamster	\$45.06	<u>7Y</u>	<u>4K</u>		View
Pierce	Sign Makers & Installers (Electrical)	Sign Installer	\$26.17		<u>1</u>		View
Pierce	Sign Makers & Installers (Electrical)	Sign Maker	\$20.33		<u>1</u>		View
Pierce	Sign Makers & Installers (Non-Electrical)	Sign Installer	\$33.43		<u>1</u>		View
Pierce	Sign Makers & Installers (Non-Electrical)	Sign Maker	\$22.79		<u>1</u>		View
Pierce	Soft Floor Layers	Journey Level	\$55.56	<u>5A</u>	<u>3J</u>		View
Pierce	Solar Controls For Windows	Journey Level	\$15.74		<u>1</u>		View
Pierce	Sprinkler Fitters (Fire Protection)	Journey Level	\$90.99	<u>5C</u>	<u>1X</u>		View
Pierce	Stage Rigging Mechanics (Non Structural)	Journey Level	\$15.74		<u>1</u>		View
Pierce	Stone Masons	Journey Level	\$66.32	<u>7E</u>	<u>1N</u>		View
Pierce	Street And Parking Lot Sweeper Workers	Journey Level	\$21.69		<u>1</u>		View
Pierce	Surveyors	Assistant Construction Site Surveyor	\$79.00	<u>7A</u>	<u>11H</u>	<u>8X</u>	View
Pierce	Surveyors	Chainman	\$75.55	<u>7A</u>	<u>11H</u>	<u>8X</u>	View
Pierce	Surveyors	Construction Site Surveyor	\$80.33	<u>7A</u>	<u>11H</u>	<u>8X</u>	View
Pierce	Surveyors	Drone Operator (when used in conjunction with surveying work only)	\$75.55	<u>7A</u>	<u>11H</u>	<u>8X</u>	View
Pierce	Surveyors	Ground Penetrating Radar	\$75.55	<u>7A</u>	<u>11H</u>	<u>8X</u>	View
Pierce	Telecommunication Technicians	Journey Level	\$51.14	<u>6Z</u>	<u>1B</u>		View
Pierce	Telephone Line Construction - Outside	Cable Splicer	\$39.15	<u>5A</u>	<u>2B</u>		View
Pierce	Telephone Line Construction - Outside	Hole Digger/Ground Person	\$26.29	<u>5A</u>	<u>2B</u>		View
Pierce	Telephone Line Construction - Outside	Telephone Equipment Operator (Light)	\$32.72	<u>5A</u>	<u>2B</u>		View
Pierce	Telephone Line Construction - Outside	Telephone Lineperson	\$37.00	<u>5A</u>	<u>2B</u>		View
Pierce	Terrazzo Workers	Journey Level	\$60.36	<u>7E</u>	<u>1N</u>		View
Pierce	Tile Setters	Journey Level	\$60.36	<u>7E</u>	<u>1N</u>		View
Pierce	Tile, Marble & Terrazzo Finishers	Finisher	\$51.19	<u>7E</u>	<u>1N</u>		View
Pierce	Traffic Control Stripers	Journey Level	\$51.90	<u>7A</u>	<u>1K</u>		View
Pierce	Truck Drivers	Asphalt Mix Over 16 Yards	\$72.45	<u>15J</u>	<u>11M</u>	<u>8L</u>	View
Pierce	Truck Drivers	Asphalt Mix To 16 Yards	\$71.61	<u>15J</u>	<u>11M</u>	<u>8L</u>	View
Pierce	Truck Drivers	Dump Truck	\$71.61	<u>15J</u>	<u>11M</u>	<u>8L</u>	View
Pierce	Truck Drivers	Dump Truck & Trailer	\$72.45	<u>15J</u>	<u>11M</u>	<u>8L</u>	View
Pierce	Truck Drivers	Other Trucks	\$72.45	<u>15J</u>	<u>11M</u>	<u>8L</u>	View
Pierce	Truck Drivers - Ready Mix	Transit Mix	\$72.45	<u>15J</u>	<u>11M</u>	<u>8L</u>	View

Pierce	Well Drillers & Irrigation Pump Installers	Irrigation Pump Installer	\$16.09		1		View
Pierce	Well Drillers & Irrigation Pump Installers	Oiler	\$15.74		1		View
Pierce	Well Drillers & Irrigation Pump Installers	Well Driller	\$18.30		1		View

Exhibit A – Bid Item Description

WWTF Influent Screen Access Platform and Headworks NPW Piping Modifications - Complete

Payment for this item shall be per lump sum. The price shall include all labor, tools, equipment, and materials to perform the work depicted in the contract documents, drawings, and specifications.

Payment* shall be made according to the following schedule:

Approval of equipment and material submittals	15%
Substantial completion of the project	65%
Final Completion	20%

Minor Change:

Payments or credits for changes amounting to \$5,000 or less may be made under the Bid item “Minor Change”. At the discretion of the Contracting Agency, this procedure for Minor Changes may be used in lieu of the more formal procedure as outlined in Section 1-04.4, Changes. All “Minor Change” work will be within the scope of the Contract Work and will not change Contract Time.

The Contractor will be provided a copy of the completed order for Minor Change. The agreement for the Minor Change will be documented by signature of the Contractor, or notation of verbal agreement. If the Contractor is in disagreement with anything required by the order for Minor Change, the Contractor may protest the order as provided in Section 1-04.5.

Payments* or credits will be determined in accordance with Section 1-09.4. For the purpose of providing a common Proposal for all Bidders, the Contracting Agency has entered an amount for “Minor Change” in the Proposal to become a part of the total Bid by the Contractor.

Mobilization + Demolition:

Payment for this item shall be per lump sum. The price shall include all labor, tools, equipment, and materials to perform the work depicted in the contract documents, drawings, and specifications.

Payment* shall be made according to the following schedule:

Contractor On Site	35% Paid
5% Project Completion	50% Paid
50% Project Completion	75% Paid
100% Project Completion	100% Paid

Access Platform:

Payment for this item shall be per lump sum. The price shall include all labor, tools, equipment, and materials to perform the work depicted in the contract documents, drawings, and specifications.

Payment* shall be made according to the following schedule:

Approval of equipment and material submittals	15%
Substantial completion of the project	65%
Final Completion	20%

Water Piping Revisions:

Payment for this item shall be per lump sum. The price shall include all labor, tools, equipment, and materials to perform the work depicted in the contract documents, drawings, and specifications.

Payment* shall be made according to the following schedule:

Approval of equipment and material submittals	15%
Substantial completion of the project	65%
Final Completion	20%

* All payments will be subject to retention on monies paid pursuant to RCW 60.28 and RCW 39.08.010.

CITY OF SUMNER

PIERCE COUNTY

WASHINGTON



WWTP INFLUENT SCREEN ACCESS PLATFORM AND HEADWORKS NPW PIPING MODIFICATIONS



JANUARY 2023
G&O #21514.01

SCOPE OF WORK

Furnish and install all new all new ductile iron and galvanized steel piping and appurtenances required to for the modifications to the existing non-potable water piping system to the existing screenings washer/compactor, influent fine screens and hydraulic screenings transport flume. This includes all piping insulation and self-regulating heat tape. It is assumed that the new self-regulating heat tape will be connected to the existing heat tape controls and power circuits, as shown on the plans. In addition, the Contractor shall furnish and install the new fine screen access platform.

SEQUENCE OF WORK

- 1. The existing non-potable water system must remain in service at all times. The Contractor shall coordinate with treatment plant staff and provide any temporary piping and connections required to keep the existing screening system in operation throughout the course of this work.
2. The influent screen access platforms may be installed at any time. The Contractor shall ensure that access to the influent screens for operation and maintenance is maintained at all times during the installation of the access platforms.

SPECIFICATIONS

1. SUBMITTALS

Shop, catalog, and other appropriate drawings and information shall be submitted to the Engineer for review prior to fabrication or ordering of all equipment and materials specified. The number of copies of submittal information to be submitted shall be as indicated below.

All submittal information shall be sent to the Engineer through the Contractor. The Contractor shall assign a separate submittal number to each item or group of items that relate to each specification section. Submittal numbers shall be assigned in consecutive ascending order, with the first project submittal assigned the number "1." Resubmittals shall be numbered using the same number followed by an alphabetical suffix. All submittals shall bear the Contractor's certification that they have reviewed, checked, and approved the submittal information prior to transmitting to the Engineer. The submittal number and related specification section shall be marked on each submittal. Within 21 calendar days after receipt of the submittal, the Engineer shall review the submittal and return three copies of the marked-up submittal. The reproducible original will be retained by the Engineer. The returned submittal shall indicate one of the following actions:

- a. If the review indicates that the material, equipment, or work method complies with the project Specifications, submittal copies will be marked "NO EXCEPTIONS TAKEN." In this event, the Contractor may begin to implement the work method or incorporate the material or equipment covered by the submittal.
b. If the review indicates limited corrections are required, copies will be marked "MAKE CORRECTIONS NOTED." The Contractor may begin implementing the work method or incorporating the material and equipment covered by the submittal in accordance with the noted corrections. Where submittal information will be incorporated in operation and maintenance data, a corrected copy shall be provided.
c. If the review reveals that the submittal is insufficient or contains incorrect data, copies will be marked "AMEND AND RESUBMIT." Except at their own risk, the Contractor shall not undertake work covered by this submittal until it has been revised, resubmitted, and returned marked either "NO EXCEPTIONS TAKEN" or "MAKE CORRECTIONS NOTED."
d. If the review indicates that the material, equipment, or work method does not comply with the project Specifications, copies of the submittal will be marked "REJECTED - SEE REMARKS." Submittals with deviations that have not been identified clearly may be rejected. Except at their own risk, the Contractor shall not undertake the work covered by such submittals until a new submittal is made and returned marked either "NO EXCEPTIONS TAKEN" or "MAKE CORRECTIONS NOTED."

Where the contents of submitted literature include data not pertinent to the submittal, the portion(s) of the contents being submitted for the Engineer's review shall be clearly indicated.

Shop drawings shall be submitted in the form of blue-line or black-line prints of each sheet. Blueprint submittals will not be acceptable.

All shop drawings shall be accurately drawn to a scale sufficiently large enough to show pertinent features and method of connection or joining. On all shop drawings, figure dimensions shall be used as opposed to scaled dimensions.

2. BANK RUN GRAVEL FOR TRENCH BACKFILL

Bank run gravel for trench backfill shall be free from organic matter or other deleterious materials and in conformance with Section 9-03.19 of the WSDOT Standard Specifications.

3. CRUSHED SURFACING

Crushed surfacing base course and top course shall conform to Section 9-03.9(3) of the WSDOT Standard Specifications.

4. HMA PAVEMENT

HMA pavement, Commercial HMA, HMA Cl. 1/2" PG 58H-22 or HMA Cl. 3/8" PG 58H-22. The work in this section shall be accomplished in accordance with the WSDOT Standard Specifications, current edition.

5. DUCTILE IRON PIPE AND FITTINGS

Ductile iron pipe shall be centrifugal cast pipe conforming to AWWA C151, Class 52, unless otherwise noted, cement mortar lined in accordance with, AWWA C104. Where flanged spools are utilized, all spools shall be Class 53.

Below ground piping shall be mechanical joints unless otherwise specified or indicated. Mechanical joints shall comply with AWWA C111.

All mechanical joints shall be restrained joints with a restrainer. The restrainer shall utilize the full circumference of the pipe for restraining and utilize standard MJ gasket and bolts. The restrainer shall be Grip Ring as manufactured by Romac Industries, Mega-Lug, or equal.

Fittings shall be ductile iron and shall comply with AWWA C110 or AWWA C153, cement mortar lined, 250_psi minimum pressure. Fittings shall be mechanical joint.

The exterior of buried ductile iron pipe and fittings and pipe and fittings in contact with concrete shall be coated with bituminous coating.

All bolts not in contact with potable water shall be coated with Armite Anti-Seize Compound No. 609, or equal, prior to installation.

6. GALVANIZED STEEL PIPE AND FITTINGS

Steel pipe shall be general service, carbon steel pipe conforming to ASTM A53, Grade A, Type E. Pipe shall be Schedule 40 with threaded and coupled fittings. Galvanized pipe and fittings shall be hot-dip galvanized.

7. PIPING AND VALVE INSULATION

All new above ground exterior pipe and valves carrying liquids, shall be insulated with 1 inch thick fiberglass insulation and 0.016-inch anodized aluminum jacket; insulated by Owens-Corning, Certainteed, Johns-Manville or equal, unless otherwise noted. Buried piping carrying liquids with less than 36 inches of cover shall be insulated with Rubitex closed cell foam insulation or equal.

8. HEAT TAPE

a. Self-Regulating Heat Tape

The self-regulating heating cable shall be constructed of a semi-conductive heater matrix that is extruded between parallel 16 AWG or greater buss wires with tinned copper braid. The cable shall have a Fluoropolymer corrosion resistant jacket over for hostile/corrosive environments. The self-regulating heating cable shall adjust its output to independently respond to temperatures all along its length, allowing the heating cable to be crossed over itself without overheating. As the temperature increases, the heating cable's resistance shall increase which lowers the total output wattage. Conversely, as the temperature decreases, the resistance shall decrease and the cable shall produce more heat. The cable shall have a maximum maintenance temperature rating of 150 degrees F. All heating cable core shall be permanently marked with the manufacturer's identification number for traceability.

Heat tape shall be labeled and listed by a recognized electrical testing laboratory for the application, or approved by the Washington State Department of Labor and Industries for installation on this Project.

Table with 4 columns: Pipe Size, Output, Model, # of Runs. Row 1: 3" or less, 5 W/ft, Chromalox SRF 5-1C or equal, 1

b. Integrated Temperature Controls

It is anticipated that the new heat tape can be connected to the existing temperature controls. In the event that one or more of the exiting temperature controls must be replaced, the temperature controls will need to meet the following specifications. The integrated temperature controls for the heat tracing shall consist of an ambient-sensing thermostat switch, a stainless steel sheath temperature sensor, a set point adjustment knob, and a set point indicator. The temperature controls shall be watertight. The temperature controls shall be provided with a secure mounting appropriate for the heat tracing application. The temperature set point shall range from 0 to 225 degrees F. The switch shall have a scale division of at least 10 degrees F. The sensor shall have at least a 250 degrees F max. temperature exposure with at least a .40 degrees F to 160 degrees F operating range.

9. PIPING INSTALLATION

a. General Handling and Placing

All piping constructed on this project shall be performed in accordance with the Uniform Plumbing Code. These Plans do not detail all items such as complete venting, etc.; however, it is understood that this work shall be included as a part of this Section and all costs included in the lump sum bid.

Pipe and accessories shall be handled in such a manner as to insure delivery on site in sound, undamaged condition. Particular care taken not to injure pipe coating. No other pipe or material of any kind shall be placed inside of lined pipe or fitting after lining has been applied. All pipe and fittings shall be unloaded, stored, handled in such a manner as to insure against damage. Dropping of pipe or fittings shall be cause for rejection.

The types and sizes of pipes to be used shall be as specified herein and as shown on the Plans. Where sizes of small pipe are omitted from the plans and not mentioned in the Specifications, the sizes to be used shall correspond to plumbing code requirements. In any event, undesignated pipe sizes shall be proper for the function to be performed and as accepted by the Engineer.

All pipe shall be carefully placed and supported at the proper lines and grades and where possible shall be sloped to permit complete drainage. Piping runs shown on the Plans shall be followed as closely as possible, except for minor adjustments to avoid architectural and structural features. If major relocations are required, they shall be approved by the Engineer.

Unions shall be installed in all threaded joint piping to facilitate the removal of sections for maintenance and repair in accordance with the best trade practice. Unions shall be ground joint, malleable iron type. Where unions connect dissimilar materials, the union shall be protected from reaction with dissimilar metals by installation of insulating materials and dielectric unions at contact points.

The interior of all piping shall be cleaned after assembly and before connecting to equipment.

All piping for which no location dimensions are shown shall be installed in a neat and workmanlike manner in accordance with best trade practice. Wherever possible runs and rises shall be grouped and kept parallel. Properly lay out all miscellaneous piping to clear obstructions such as passageways, equipment, larger sized pipes, ventilation ducts, lights, etc.

Whenever pipe requires field cutting to fit in line, work shall be done by a machine in a satisfactory manner so as to leave a smooth end at right angles to axis of pipe.

All pipe shall be installed in strict accordance with manufacturer's recommendations and/or specifications, and best commercial trade practice. Any special tools required for laying, jointing, cutting, etc., shall be supplied and properly used. All pipe shall be kept thoroughly clean until acceptance of completed work, and shall conform accurately to lines and grades given. At all times during pipe laying operations keep trench free of water either by pumping, bailing, or drainage. Seal end of line with a tight-fitting plug when pipe is not being laid.

Valves shall have interiors cleaned of all foreign matter and inspected, both in open and closed positions prior to installation.

All above ground outside pipe carrying liquids shall be insulated.

b. General Exposed Piping Installation

Unless shown otherwise, piping shall be installed parallel to building lines, plumb, and level.

Piping shall be installed without springing or forcing.

All pipe flanges shall be set level, plumb, and aligned. All flanged fittings shall be true and perpendicular to the axis of the pipe. All bolt holes in flanges shall straddle vertical centerline of pipes.

Unions or flexible couplings shall be installed where shown on the Plans, and at all non-motor-driven equipment to facilitate removal of the equipment.

c. Mechanical Joint Piping

Mechanical joint piping shall be installed in best trade practice with torque wrenches used to avoid overstressing bolts. Piping shall be installed using recommended procedures outlined in "Handbook of Cast Iron Pipe" as published by Cast Iron Research Association which in part requires that all contact surfaces of rubber seal with pipe be wire brushed, spigot be centrally located in bell. When tightening bolts, it is essential that the gland be brought up toward pipe flange evenly, maintaining approximately same distance between gland and face of flange at all points around socket.

d. Pipe Testing

All piping shall be tested and inspected in accordance with the provisions of Division 7 APWA/WSDOT, except as modified herein. Where new piping systems are being connected to existing piping systems the existing piping systems shall be tested prior to connecting to the new pipe to the existing piping. Once the new piping system has been connected to the existing piping system the entire system shall be tested again.

All piping systems will be tested to demonstrate leak tightness prior to acceptance. The Contractor shall provide all equipment and labor necessary to perform all testing required herein, the costs to be included in the lump sum bid price.

Each particular piping system shall be tested as hereinafter specified. All leaks shall be repaired or defective material replaced and the test repeated as directed by the Engineer. After compliance with test requirements and approval of the Engineer, the field painting, where required, may be started. All pressure testing shall be done prior to any finish painting or pipe insulating.

The Contractor shall be responsible for repair of any damage resulting from or caused by leak testing.

All thrust blocks shall be in place for at least 7 days to allow concrete to cure before testing. Install adequate blocking or other means of resisting test pressure.

Plant non-potable water piping shall be pressurized with water to 125 psig and remain leaktight for a period of 1 hour.

10. BURIED GATE VALVES

Gate valves 3 inches and smaller shall be bronze, non-rising stem, wedge disc, 125 pound service, Crane No. 438, Kennedy Figure 427 or equal. Buried valves shall have 2-inch square operating nuts.

11. BALL VALVES

Ball valves shall be bronze, full port, two piece, lever handle, 200-pound service, meeting standard MSS SP-110, Apollo Series 77-100, or equal.

12. VALVE IDENTIFICATION TAGS

Each shut-off or control valve, shall be provided with a 1_1/2-inch minimum diameter heavy brass tag. Tags shall bear the identifying number of the valve and one or more identifying letter symbols of the service line.

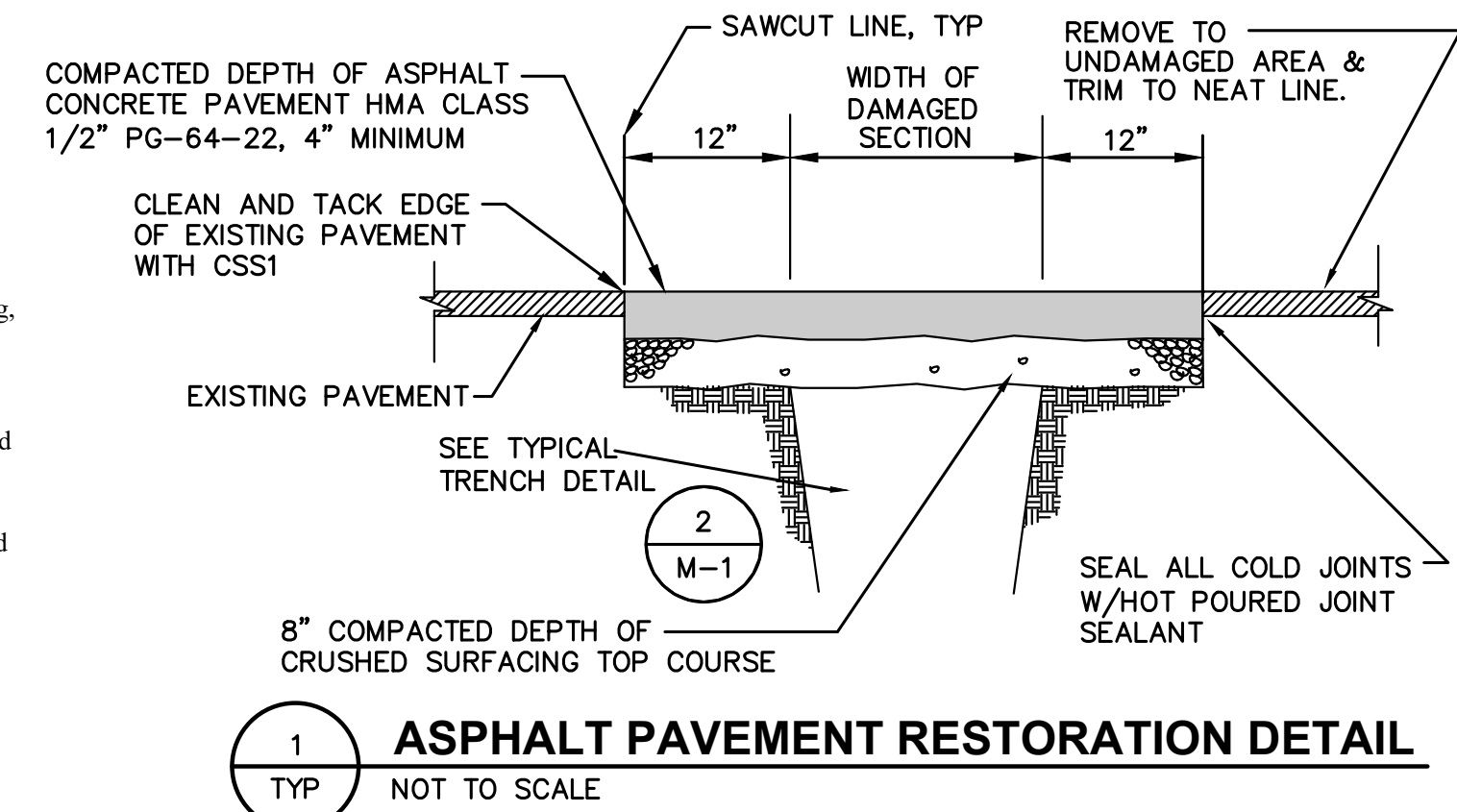
Numbers and letters shall be block type with 1/2-inch-high numbers and 1/4 inch_high letters stamped on the tags and filled with black enamel.

Attach tags to the valves by split-key rings soldered so that the ring and tag cannot be removed.

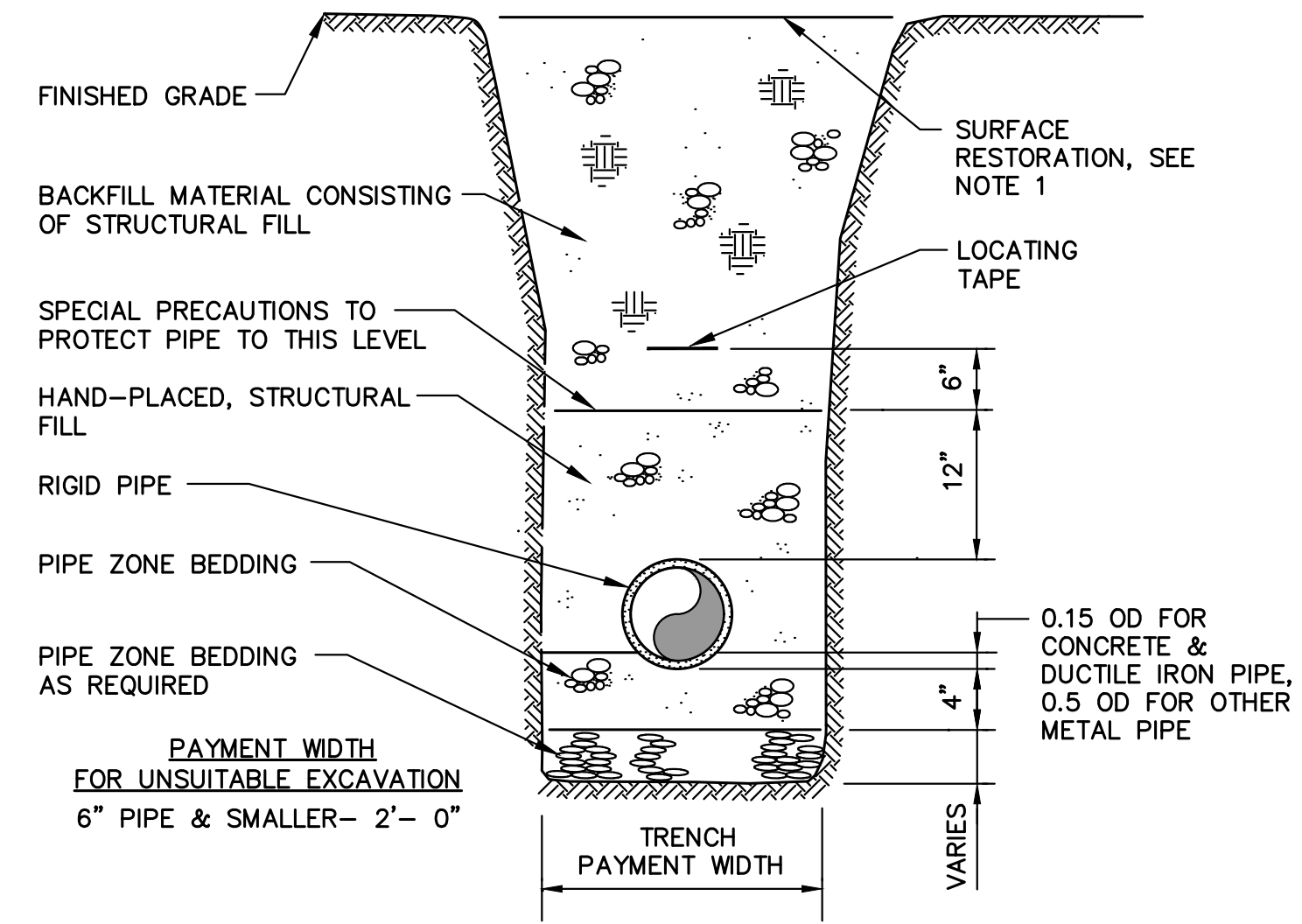
Furnish a drawing and a neatly typed valve directory listing each valve number, type of valve and its location. Submit the directory and drawing to the Owner for approval.

13. VALVE BOXES

There shall be furnished and installed with all valves installed underground, two piece adjustable cast iron valve boxes with a minimum inside diameter of 5 inches. The valve boxes shall be set concentric with the axis of the stem and adjusted to the finish grade. Valve box lids shall be identified with a letter/number code and opening direction designation as shown on the Plans.

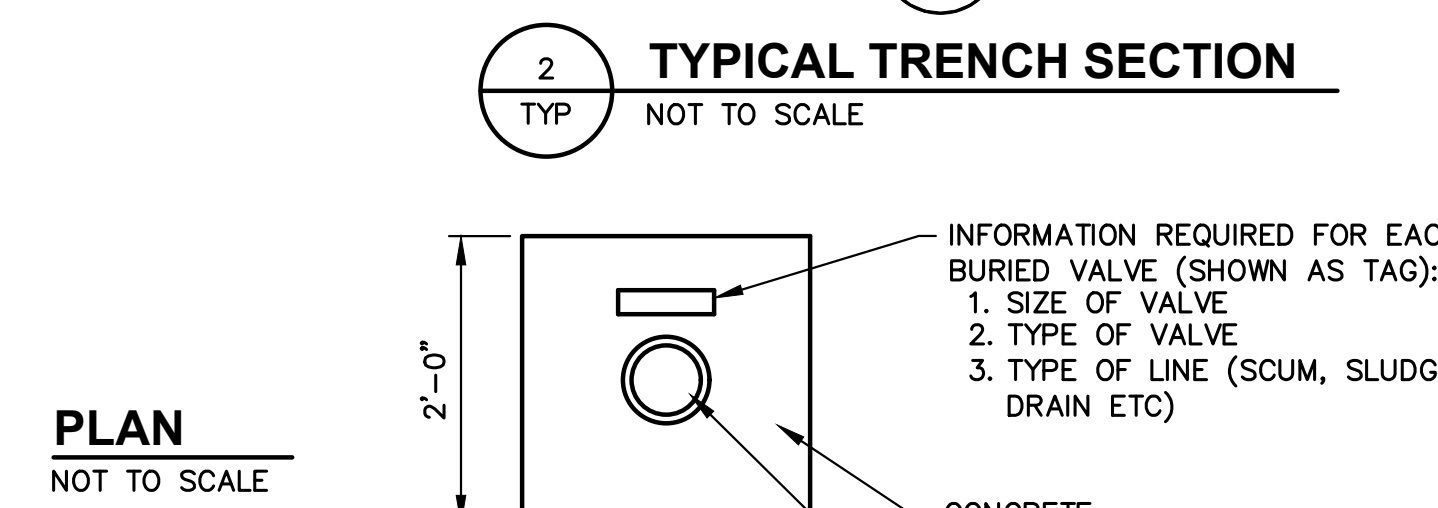


1 TYP NOT TO SCALE ASPHALT PAVEMENT RESTORATION DETAIL

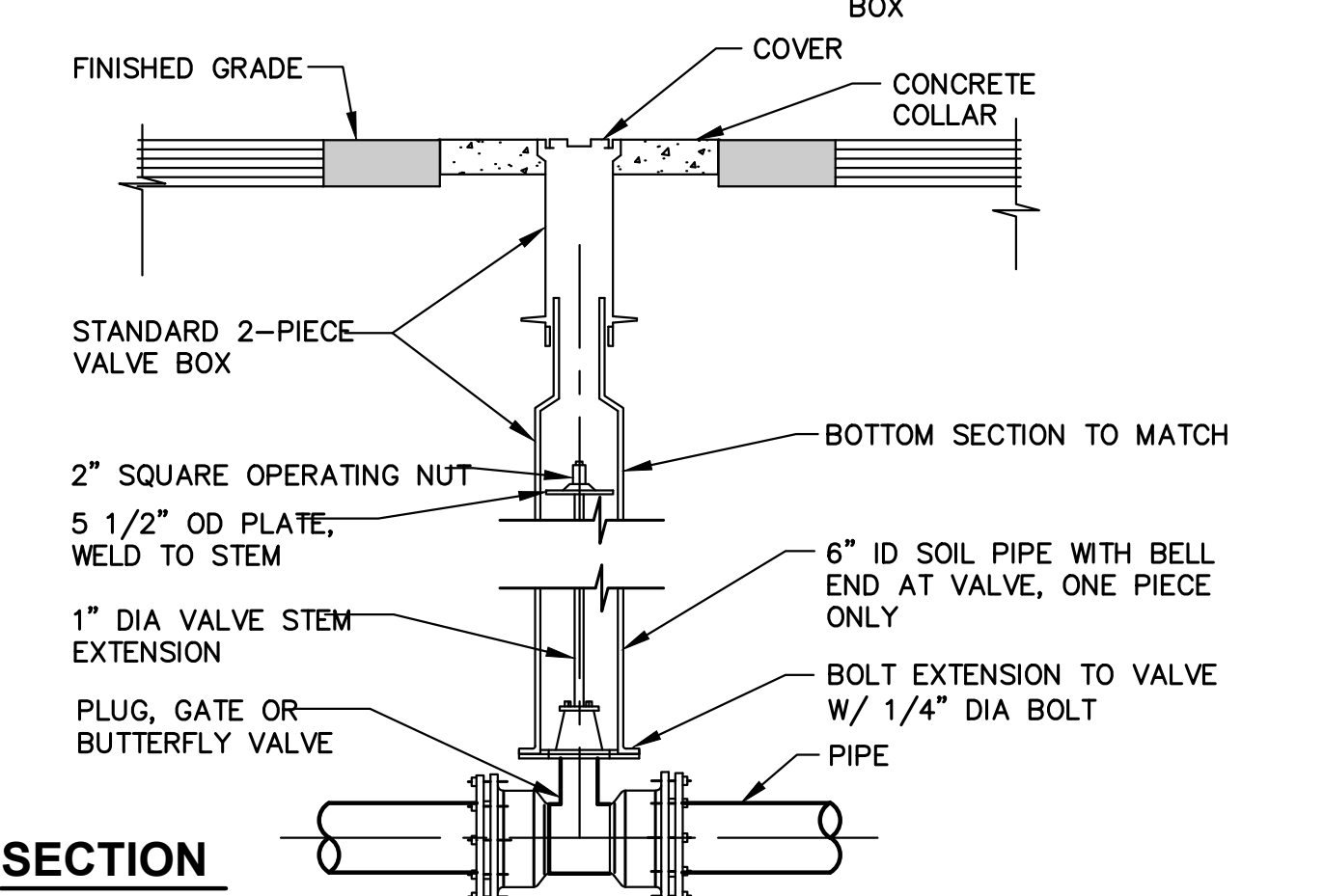


NOTES: 1. PROVIDE SURFACE RESTORATION TO MATCH ADJACENT SURFACES, SEE DETAIL 1

1 TYP NOT TO SCALE



PLAN NOT TO SCALE



SECTION NOT TO SCALE 3 TYP NOT TO SCALE



TWO INCHES AT FULL SCALE. IF NOT, SCALE ACCORDINGLY

m:\sumner\2021 on-call services\dryer and influent screen access platforms\plans\Mechanical\M_SPEC_DET.dwg, 1/5/2023 2:45 PM, CHARLEY REID

Gray & Osborne, Inc. CONSULTING ENGINEERS 1130 RANIER AVENUE SOUTH, SUITE 300 SEATTLE, WASHINGTON 98144 • (206) 964-0980

Table with columns: DATE, DRAWN, CHECKED, APPROVED. Values: JAN 2023, CRR, DAW, DAW.

Table with columns: DATE, APPD, REVISION, No.

Professional Engineer Seal for Douglas A. Reid, State of Washington, License No. 28743, dated 1/15/23.

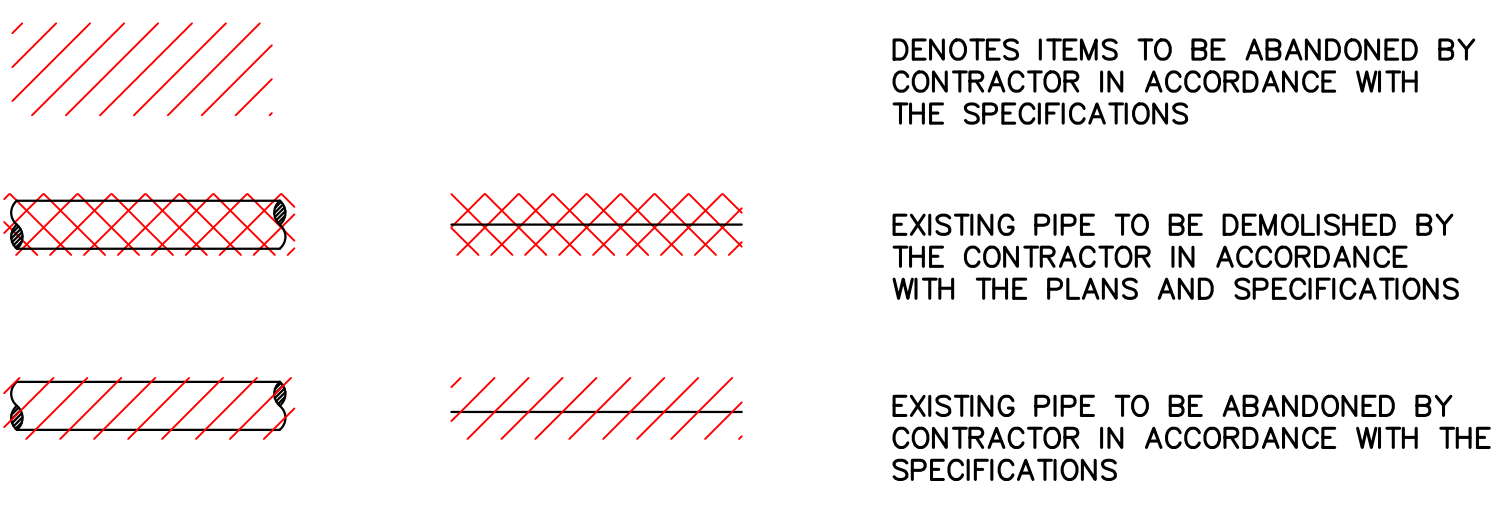
CITY OF SUMNER WASHINGTON PIERCE COUNTY WWTP INFLUENT SCREEN ACCESS PLATFORM AND HEADWORKS NPW PIPING MODIFICATIONS SCOPE OF WORK, SPECIFICATIONS AND DETAILS

Table with columns: SHEET, OF, JOB NO., DWGM_SPEC_DET. Values: M-1, 5, 21514.04, DWGM_SPEC_DET

PIPING SYMBOLS

DOUBLE LINE	SINGLE LINE		DOUBLE LINE	SINGLE LINE	
		EXISTING PIPE			NEW PIPE
		WELDED			SCREWED JOINT
		FLANGED			MECHANICAL JOINT
		GROOVED COUPLING			FLANGED COUPLING ADAPTER
		FLANGED COUPLING ADAPTER W/ THRUST TIES TO NEXT FLANGED JOINT			FLEXIBLE COUPLING
		STAINLESS STEEL LOW PRESSURE AIR PIPE COUPLING			ADAPTOR FLANGE
		UNION			RESTRAINED FLEXIBLE COUPLING
		RUBBER EXPANSION JOINT			RESTRAINED RUBBER EXPANSION JOINT
		BLIND FLANGE			CHECK VALVE
		GATE VALVE			PLUG VALVE
		BUTTERFLY VALVE			BALL VALVE
		CONCENTRIC REDUCER			ECCENTRIC REDUCER
		ELBOW, 45°			ELBOW, 90°
		ELBOW UP			ELBOW DOWN

NOTE:
FOR ADDITIONAL ABBREVIATIONS AND SYMBOLS SEE SHEET S-1.



PROCESS PIPING, VALVE, GATE AND EQUIPMENT IDENTIFICATIONS

PROCESS PIPING		EQUIPMENT	
	PROCESS TYPE (SEE LIST BELOW) PIPE SIZE		EQUIPMENT NUMBER (SEQUENTIAL LISTING) EQUIPMENT TYPE (SEE LIST BELOW)
ABBREVIATION	PROCESS TYPE	ABBREVIATION	EQUIPMENT TYPE
ALP	AIR LOW PRESSURE	CSM	CENTRATE STORAGE TANK MECHANISM
BP	BYPASS	CP	CENTRATE PUMP
CEN	CENTRATE	DWC	DEWATERING CENTRIFUGE
D	DRAIN	EX	EXHAUSTER
DF	DIESEL FUEL	GC	GRIT CLASSIFIER
DG	DIGESTER GAS	HC	HYDROCYCLONE
DS	DIGESTED SLUDGE	HT	HEATER
FE	FINAL EFFLUENT	MFM	MAGNETIC FLOW METER
HW	HOT WATER	RLS	RADAR LEVEL SENSOR
I	IRRIGATION	TH	TROLLEY HOIST
INF	INFLUENT		
IR	INTERNAL RECYCLE		
ML	MIXED LIQUOR		
NG	NATURAL GAS		
NPW	NON-POTABLE WATER		
ODD	ODOR CONTROL DUCT		
OF	OVERFLOW		
P	PRIMARY INFLUENT		
PD	PROCESS DRAIN		
PE	PRIMARY EFFLUENT		
POL	POLYMER		
POS	POLYMER SOLUTION		
PS	PRIMARY SLUDGE		
RAS	RETURN ACTIVATED SLUDGE		
RS	RAW SEWAGE		
SAM	SAMPLE		
SC	SCUM		
SD	STORM DRAIN		
SE	SECONDARY EFFLUENT		
SEP	SEPTAGE		
SHC	SODIUM HYPOCHLORITE		
SK	SECONDARY SKIMMINGS		
SS	SANITARY SEWER		
SPD	SUMP PUMP DISCHARGE		
SW	SEAL WATER		
SWD	STORM WATER DISCHARGE		
TPS	THICKENED PRIMARY SLUDGE		
TS	THICKENED SLUDGE		
V	VENT		
W	POTABLE WATER		
WAS	WASTE ACTIVATED SLUDGE		

VALVES AND GATES

AREA NUMBER SEE SHEET G-5

VALVE/GATE NUMBER (SEQUENTIAL LISTING)
VALVE/GATE TYPE (SEE LIST BELOW)

ABBREVIATION	VALVE TYPE
AV	AIR/VACUUM RELEASE VALVE
BFV	BUTTERFLY VALVE
CV	CHECK VALVE
GV	GATE VALVE
PV	PLUG VALVE



Gray & Osborne, Inc.
CONSULTING ENGINEERS
1130 BANNER AVENUE SOUTH, SUITE 300
SEATTLE, WASHINGTON 98144 • (206) 964-0880

DATE: JAN 2023	DRAWN: CRR	CHECKED: DAW	APPROVED: DAW
----------------	------------	--------------	---------------

REVISION	DATE	APPD
No.		

1/15/23

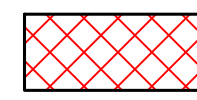
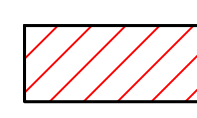
CITY OF SUMNER
PIERCE COUNTY WASHINGTON
WWTP INFLUENT SCREEN ACCESS
PLATFORM AND HEADWORKS NPW
PIPING MODIFICATIONS
MECHANICAL ABBREVIATIONS, SYMBOLS, PIPING
AND EQUIPMENT IDENTIFICATIONS

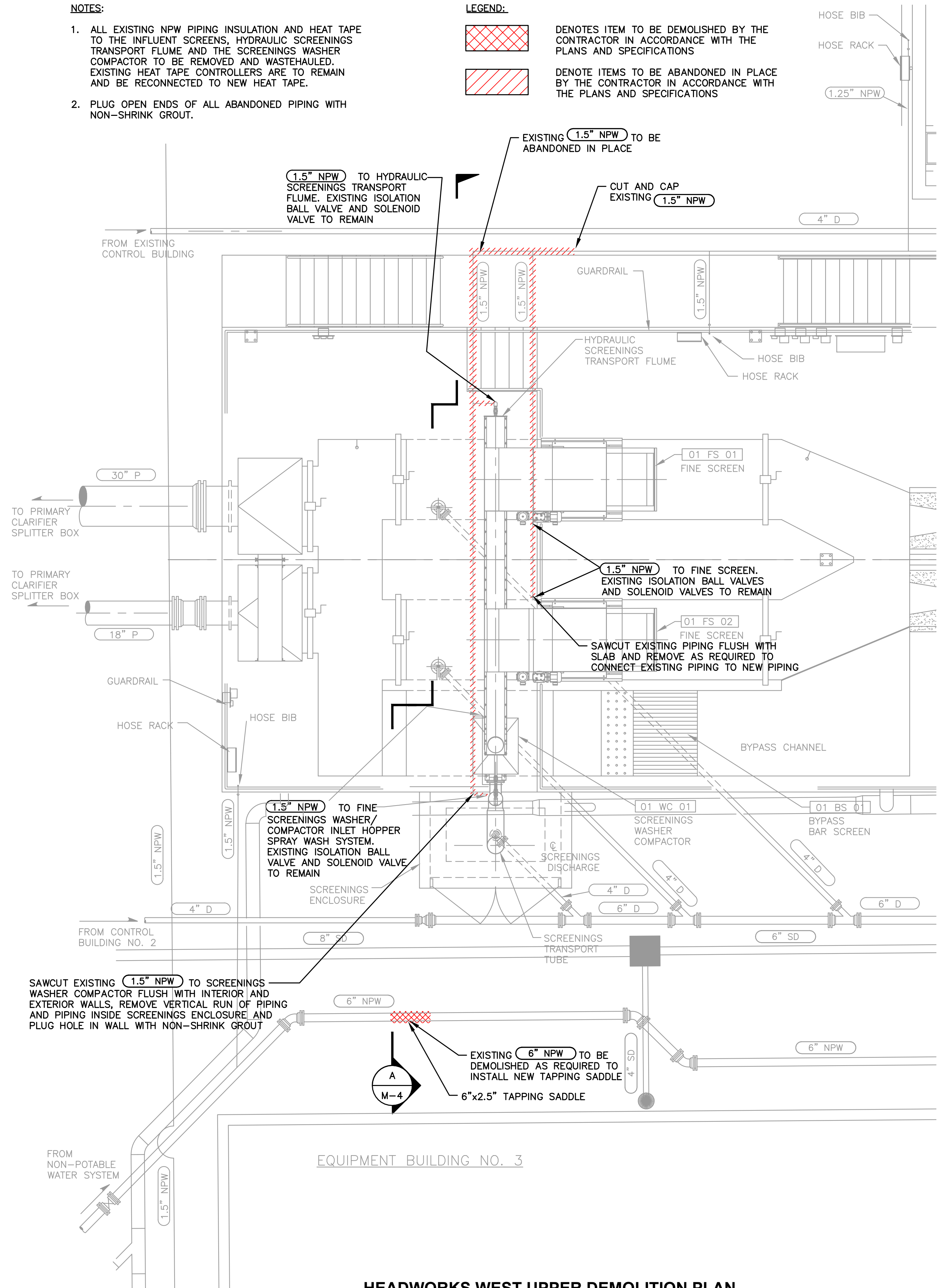
SHEET: M-2
OF: 5
JOB NO.: 21514.04
DWGM_SPEC_DET

NOTES:

1. ALL EXISTING NPW PIPING INSULATION AND HEAT TAPE TO THE INFLUENT SCREENS, HYDRAULIC SCREENINGS TRANSPORT FLUME AND THE SCREENINGS WASHER COMPACTOR TO BE REMOVED AND WASTEHAULED. EXISTING HEAT TAPE CONTROLLERS ARE TO REMAIN AND BE RECONNECTED TO NEW HEAT TAPE.
2. PLUG OPEN ENDS OF ALL ABANDONED PIPING WITH NON-SHRINK GROUT.

LEGEND:

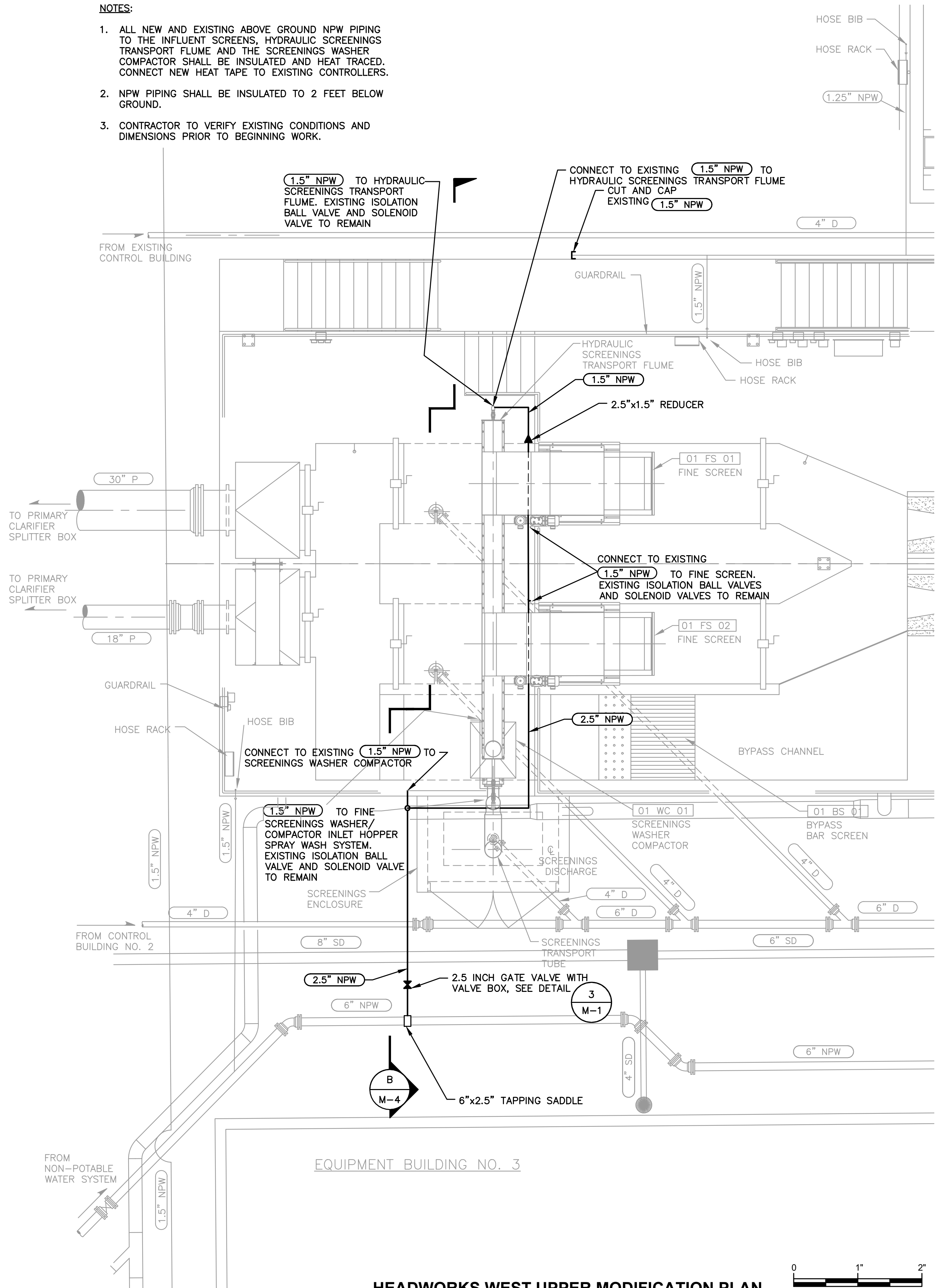
-  DENOTES ITEM TO BE DEMOLISHED BY THE CONTRACTOR IN ACCORDANCE WITH THE PLANS AND SPECIFICATIONS
-  DENOTE ITEMS TO BE ABANDONED IN PLACE BY THE CONTRACTOR IN ACCORDANCE WITH THE PLANS AND SPECIFICATIONS



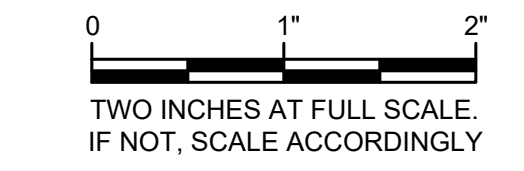
HEADWORKS WEST UPPER DEMOLITION PLAN
SCALE: 1/4"=1'-0"

NOTES:

1. ALL NEW AND EXISTING ABOVE GROUND NPW PIPING TO THE INFLUENT SCREENS, HYDRAULIC SCREENINGS TRANSPORT FLUME AND THE SCREENINGS WASHER COMPACTOR SHALL BE INSULATED AND HEAT TRACED. CONNECT NEW HEAT TAPE TO EXISTING CONTROLLERS.
2. NPW PIPING SHALL BE INSULATED TO 2 FEET BELOW GROUND.
3. CONTRACTOR TO VERIFY EXISTING CONDITIONS AND DIMENSIONS PRIOR TO BEGINNING WORK.



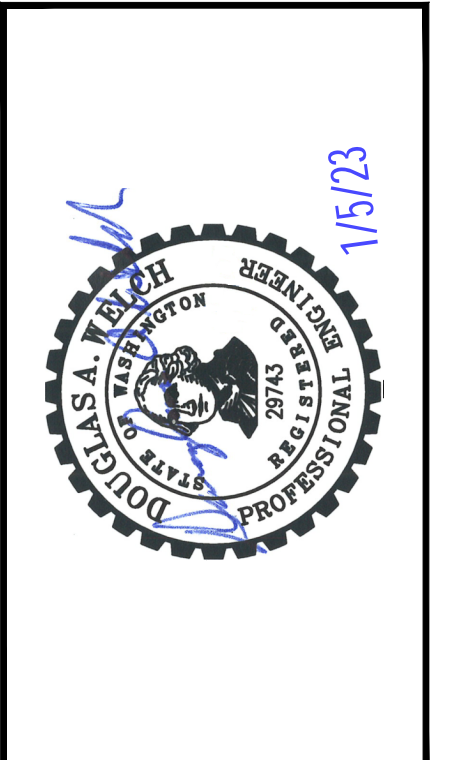
HEADWORKS WEST UPPER MODIFICATION PLAN
SCALE: 1/4"=1'-0"



Gray & Osborne, Inc.
CONSULTING ENGINEERS
1130 RAINIER AVENUE SOUTH, SUITE 300
SEATTLE, WASHINGTON 98144 • (206) 964-0980

DATE: JAN 2023	CRR	DAW	DAW
DRAWN:	CHECKED:	APPROVED:	DAW

NO.	REVISION	DATE	APPD



CITY OF SUMNER
PIERCE COUNTY WASHINGTON
WWTP INFLUENT SCREEN ACCESS PLATFORM AND HEADWORKS NPW PIPING MODIFICATIONS DEMOLITION AND MODIFICATION PLANS

SHEET: M-3
OF: 5
JOB NO.: 21514.04
DWG M1_IPS

m:\Sumner\2021 on-call services\dryer and influent screen access platforms\Plants\Mechanical\M1_IPS.dwg, 1/5/2023 2:45 PM, CHARLEY REID

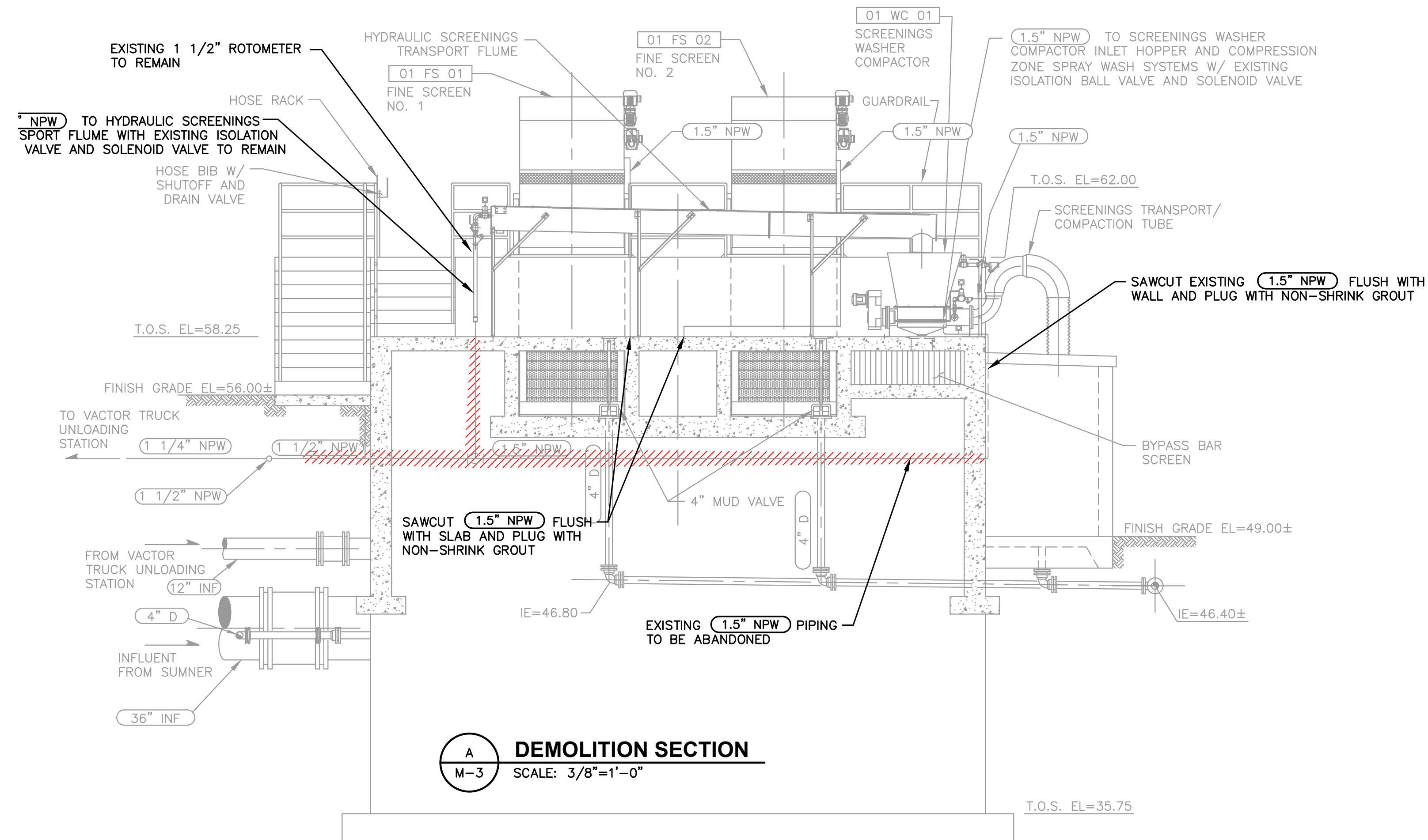
DATE:	JAN 2023	CRR	DAW	DAW
DRAWN:				
CHECKED:				
APPROVED:				

NO.	REVISION	DATE	APPD



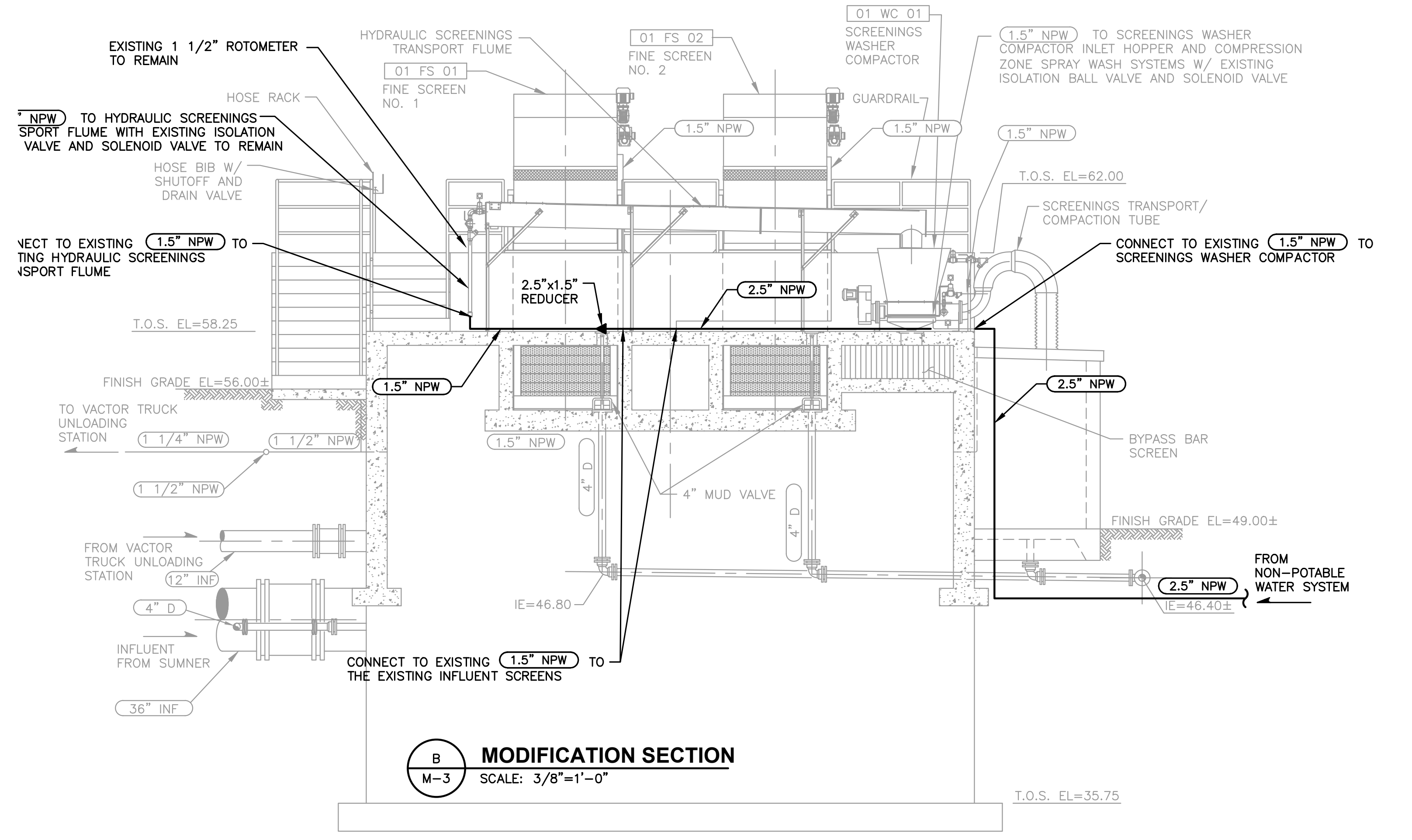
CITY OF SUMNER
 WASHINGTON
 PIERCE COUNTY
WWTP INFLUENT SCREEN ACCESS PLATFORM AND HEADWORKS NPW PIPING MODIFICATION AND DEMOLITION SECTIONS

SHEET:	M-4
OF:	5
JOB NO.:	21514.04
DWG M1_IPS	

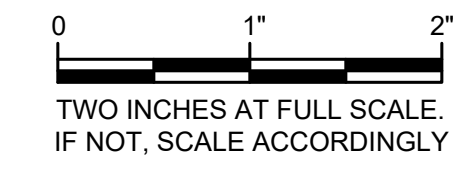


- NOTES:**
- ALL EXISTING NPW PIPING INSULATION AND HEAT TAPE TO THE INFLUENT SCREENS, HYDRAULIC SCREENINGS TRANSPORT FLUME AND THE SCREENINGS WASHER COMPACTOR TO BE REMOVED AND WASTEHAULED. EXISTING HEAT TAPE CONTROLLERS ARE TO REMAIN AND BE RECONNECTED TO NEW HEAT TAPE.
 - PLUG OPEN ENDS OF ALL ABANDONED PIPING WITH NON-SHRINK GROUT.

- LEGEND:**
- DENOTES ITEM TO BE DEMOLISHED BY THE CONTRACTOR IN ACCORDANCE WITH THE PLANS AND SPECIFICATIONS
 - DENOTE ITEMS TO BE ABANDONED IN PLACE BY THE CONTRACTOR IN ACCORDANCE WITH THE PLANS AND SPECIFICATIONS



- NOTES:**
- ALL NEW AND EXISTING ABOVE GROUND NPW PIPING TO THE INFLUENT SCREENS, HYDRAULIC SCREENINGS TRANSPORT FLUME AND THE SCREENINGS WASHER COMPACTOR SHALL BE INSULATED AND HEAT TRACED. CONNECT NEW HEAT TAPE TO EXISTING CONTROLLERS.
 - NPW PIPING SHALL BE INSULATED TO 2 FEET BELOW GROUND.
 - CONTRACTOR TO VERIFY EXISTING CONDITIONS AND DIMENSIONS PRIOR TO BEGINNING WORK.



m:\Sumner\2021 on-call services\dryer and influent screen access platforms\Plants\Mechanical\M1_IPS.dwg, 1/5/2023 2:45 PM, CHARLEY REID

ROUTE NEW (2.5" NPW) UP WALL AND ACROSS TOP OF SCREENINGS ENCLOSURE



SAW CUT EXISTING (1.5" NPW) FLUSH WITH WALL AND DEMOLISH VERTICAL RUN OF PIPE AND ALL ASSOCIATED PIPE INSIDE OF SCREENINGS ENCLOSURE

1 PHOTO DETAIL
NOT TO SCALE

SAW CUT EXISTING (1.5" NPW) FLUSH WITH WALL AND DEMOLISH VERTICAL RUN OF PIPE AND ALL ASSOCIATED PIPE INSIDE OF SCREENINGS ENCLOSURE

CONNECT TO EXISTING (1.5" NPW) AND REMOVE EXISTING INSULATION, INSTALL NEW INSULATION AND HEAT TAPE WITH NEW AND EXISTING PIPING, CONNECT NEW HEAT TAPE TO EXISTING CONTROLLER



ROUTE NEW (2.5" NPW) UP WALL AND ACROSS TOP OF SCREENINGS ENCLOSURE

2 PHOTO DETAIL
NOT TO SCALE

CONNECT EXISTING (1.5" NPW) TO EXISTING FINESCREENS TO NEW (2.5" NPW), REMOVE EXISTING INSULATION, INSTALL NEW INSULATION AND HEAT TAPE ON BOTH NEW AND EXISTING PIPING, CONNECT NEW HEAT TAPE TO EXISTING CONTROLLER



CONNECT EXISTING (1.5" NPW) TO HYDRAULIC SCREENS TRANSPORT FLUME TO NEW (1.5" NPW), REMOVE EXISTING INSULATION, INSTALL NEW INSULATION AND HEAT TAPE ON BOTH NEW AND EXISTING PIPING, CONNECT NEW HEAT TAPE TO EXISTING CONTROLLER

3 PHOTO DETAIL
NOT TO SCALE

ROUTE NEW NPW PIPING ALONG BASE OF WALL

SAW CUT EXISTING (1.5" NPW) FLUSH WITH WALL AND DEMOLISH VERTICAL RUN OF PIPE AND ALL ASSOCIATED PIPE INSIDE OF SCREENINGS ENCLOSURE

CONNECT TO EXISTING (1.5" NPW) AND REMOVE EXISTING INSULATION, INSTALL NEW INSULATION AND HEAT TAPE WITH NEW AND EXISTING PIPING, CONNECT NEW HEAT TAPE TO EXISTING CONTROLLER

CONNECT EXISTING (1.5" NPW) TO EXISTING FINESCREENS TO NEW (2.5" NPW), REMOVE EXISTING INSULATION, INSTALL NEW INSULATION AND HEAT TAPE ON BOTH NEW AND EXISTING PIPING, CONNECT NEW HEAT TAPE TO EXISTING CONTROLLER

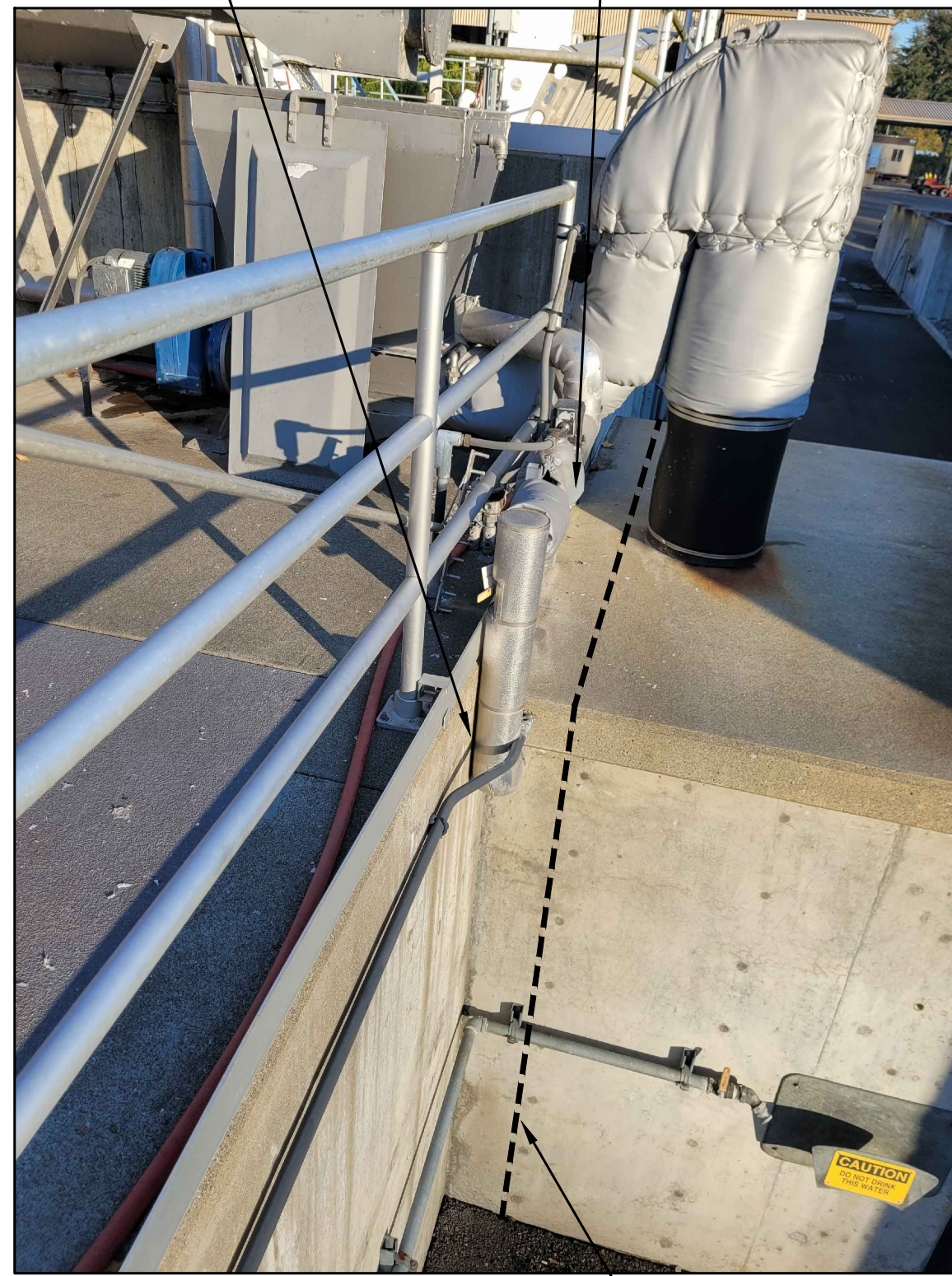


CONNECT EXISTING (1.5" NPW) TO HYDRAULIC SCREENS TRANSPORT FLUME TO NEW (1.5" NPW), REMOVE EXISTING INSULATION, INSTALL NEW INSULATION AND HEAT TAPE ON BOTH NEW AND EXISTING PIPING, CONNECT NEW HEAT TAPE TO EXISTING CONTROLLER

DEMOLISH FIRST VERTICAL RUN OF (1.5" NPW) TO HYDRAULIC SCREENINGS TRANSPORT FLUME, SAWCUT PIPE FLUSH WITH SLAB AND PLUG WITH NON-SHRINK GROUT

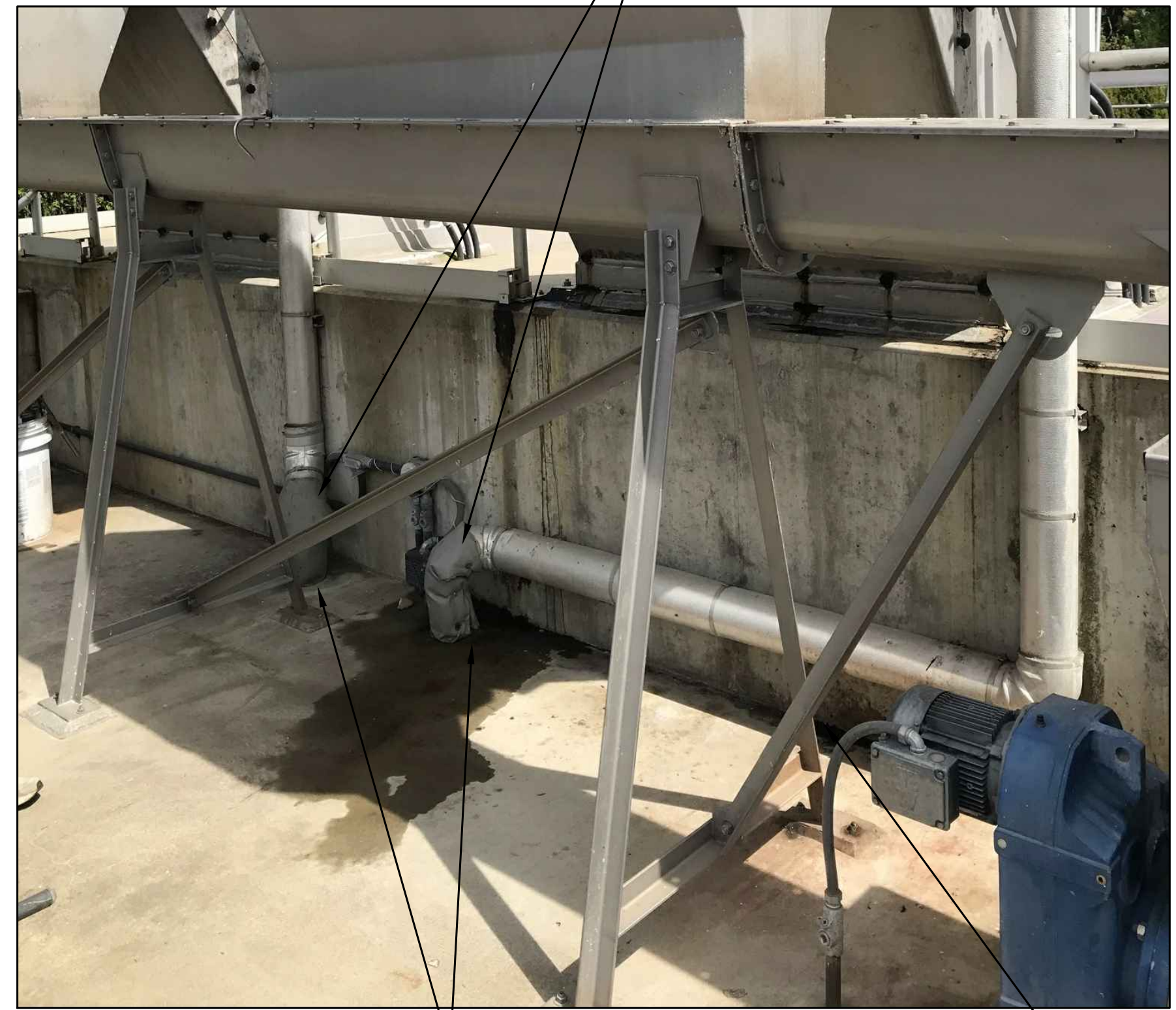
4 PHOTO DETAIL
NOT TO SCALE

ROUTE NEW NPW PIPING ALONG BASE OF WALL



ROUTE NEW (2.5" NPW) UP WALL AND ACROSS TOP OF SCREENINGS ENCLOSURE

5 PHOTO DETAIL
NOT TO SCALE



SAWCUT EXISTING (1.5" NPW) FLUSH WITH SLAB AND PLUG WITH NON-SHRINK GROUT

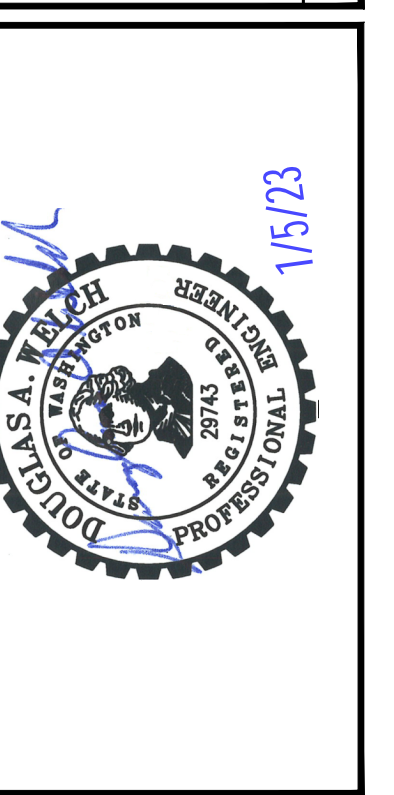
6 PHOTO DETAIL
NOT TO SCALE

ROUTE NEW NPW PIPING ALONG BASE OF WALL

0 1" 2"
TWO INCHES AT FULL SCALE. IF NOT, SCALE ACCORDINGLY

DATE: JAN 2023	CRR	DAW	DAW
DRAWN:	CRR	CHECKED:	DAW
APPROVED:	DAW	DATE:	APPD

REVISION	DATE	APPD
No.		



CITY OF SUMNER
WASHINGTON
PIERCE COUNTY
WWTP INFLUENT SCREEN ACCESS PLATFORM AND HEADWORKS NPW PIPING MODIFICATIONS
DEMOLITION PHOTOS

SHEET: M-5
OF: 5
JOB NO.: 21514.04
DWG M1_IPS

GENERAL STRUCTURAL NOTES

GENERAL
 THE GENERAL CONTRACTOR SHALL VERIFY ALL DIMENSIONS AND SITE CONDITIONS BEFORE STARTING WORK. THE ENGINEER SHALL BE NOTIFIED OF ANY DISCREPANCY. USE DETAIL MARKED "TYPICAL" WHEREVER APPLICABLE. CHANGES, OMISSIONS OR SUBSTITUTIONS ARE NOT PERMITTED WITHOUT WRITTEN APPROVAL OF THE ENGINEER. REFER TO THE SPECIFICATIONS FOR FURTHER REQUIREMENTS. DO NOT SCALE THE DRAWINGS.

ALL MATERIALS AND WORKMANSHIP SHALL CONFORM TO THE 2018 EDITION OF THE INTERNATIONAL BUILDING CODE.

THE DESIGN, ADEQUACY AND SAFETY OF ERECTION BRACING, SHORING, TEMPORARY SUPPORTS, ETC., IS THE SOLE RESPONSIBILITY OF THE CONTRACTOR, AND HAS NOT BEEN CONSIDERED BY THE ENGINEER OF RECORD. THE CONTRACTOR IS RESPONSIBLE FOR THE STABILITY OF THE STRUCTURE PRIOR TO ITS COMPLETION. THE CONTRACTOR SHALL PROVIDE THE NECESSARY BRACING TO PROVIDE STABILITY PRIOR TO THE COMPLETION OF THE STRUCTURE.

THE GENERAL NOTES APPLY TO ALL STRUCTURES UNLESS NOTED OTHERWISE (U.N.O.). LOCATION AND SIZE OF ANCHOR BOLTS FOR SPECIFIC EQUIPMENT SHALL BE SPECIFIED BY THE VENDOR. CONTRACTOR SHALL COORDINATE LOCATIONS OF STRUCTURAL OPENINGS, PENETRATIONS AND EMBEDDED ITEMS WITH THE MECHANICAL, ARCHITECTURAL, ELECTRICAL, PLUMBING AND VENTILATION SECTIONS OF THE DRAWINGS AND WITH SUPPLIERS AND SUBCONTRACTORS AS MAY BE REQUIRED.

SPECIAL INSPECTION & TESTING
 SPECIAL INSPECTIONS SHALL MEET THE REQUIREMENTS OF IBC CHAPTER 17. OBSERVE THE WORK ASSIGNED FOR CONFORMANCE WITH APPROVED DRAWINGS AND SPECIFICATIONS.

FURNISH INSPECTION REPORTS TO THE BUILDING OFFICIAL AND ENGINEER. DISCREPANCIES SHALL BE BROUGHT TO THE IMMEDIATE ATTENTION OF THE CONTRACTOR FOR CORRECTION; THEN, IF NOT CORRECTED, TO THE BUILDING OFFICIAL AND ENGINEER. SUBMIT A FINAL REPORT STATING THE WORK WAS IN CONFORMANCE WITH THE APPROVED DRAWINGS AND SPECIFICATIONS AND THE APPLICABLE WORKMANSHIP PROVISIONS OF IBC.

SPECIAL INSPECTION REQUIRED:
 STEEL: IN ACCORDANCE WITH SECTION 1705.2 AND TABLE 1705.2.3

SHOP DRAWINGS
 SHOP DRAWINGS, WHERE REQUIRED, SHALL BE CHECKED AND APPROVED BY THE GENERAL CONTRACTOR PRIOR TO SUBMITTING FOR ENGINEER REVIEW. SHOP DRAWINGS SHALL BE SUBMITTED TO THE ENGINEER FOR REVIEW OF DESIGN INTENT, PRIOR TO FABRICATION. GENERAL CONTRACTOR IS RESPONSIBLE FOR VERIFICATION AND COORDINATION OF DIMENSIONS AND DETAILS FOR EACH SUBCONTRACTOR.

DESIGN LOADS
 LIVE LOAD: 125 PSF

EARTHQUAKE DESIGN DATA
 SITE CLASS: D
 SPECTRAL RESPONSE COEFFICIENT
 S_{ds}: 1.00 g
 S_{d1}: 0.54 g
 SEISMIC IMPORTANCE FACTOR, I_e: 1.25
 RISK CATEGORY: III
 SEISMIC DESIGN CATEGORY: D

STRUCTURAL STEEL AND MISCELLANEOUS METALS
 "W" SHAPES: ASTM A992, F_y=50 KSI
 CHANNELS, ANGLES, PLATES, AND BARS: ASTM A36, F_y=36 KSI
 PIPE: ASTM A53 OR A501, F_y=35 KSI MINIMUM
 TUBING: ASTM A500, GRADE B, F_y=46 KSI

ALL BOLTS FOR CONNECTIONS IN SUBMERGED CONDITION SHALL BE: ASTM F593C OR F593D STAINLESS STEEL (SS) BOLTS. ALL OTHERS SHALL BE GALVANIZED ASTM A325-N BOLTS HIGH STRENGTH BOLTS (H.S.B.), U.N.O. AS ASTM A307 MACHINE BOLTS (M.B.). WHERE HIGH STRENGTH BOLTS ARE USED, THEY SHALL BE INSTALLED WITH LOAD INDICATOR DEVICES (LOAD INDICATOR WASHERS OR SNAP-OFF HEADS). ADHESIVE ANCHORS: HILTI HIT-RE 500 V3 OR APPROVED EQUAL, U.N.O. INSTALL PER MANUFACTURER'S RECOMMENDATIONS.

HEADED ANCHOR STUDS (H.A.S.): ASTM A108, F_y=50 KSI, END WELDED PER MANUFACTURER'S RECOMMENDATIONS. ALL ANCHOR BOLTS AND THREADED RODS: STAINLESS STEEL ASTM A193 GRADE B8, U.N.O. ALL ANCHOR BOLTS MUST BE ACCURATELY PLACED IN THEIR FINAL LOCATION PRIOR TO POURING CONCRETE, "WET STICKING" OF ANCHOR BOLTS IS NOT ALLOWED.

WELDING ELECTRODES OR WIRES: AWS A5.1 OR A5.5, E70XX; AWS A5.17, E70S-X; AWS A5.20, E7XT-X. FOR ALL SHOP WELDS AND FIELD WELDS OF ALL LATERAL RESISTING ELEMENTS, ELECTRODES SHALL BE E70 WITH A MINIMUM SPECIFIED CVN OF 20 FT-LBS AT -20 DEGREES FAHRENHEIT. ALL WELDS SHALL BE 3/16" MINIMUM U.N.O.

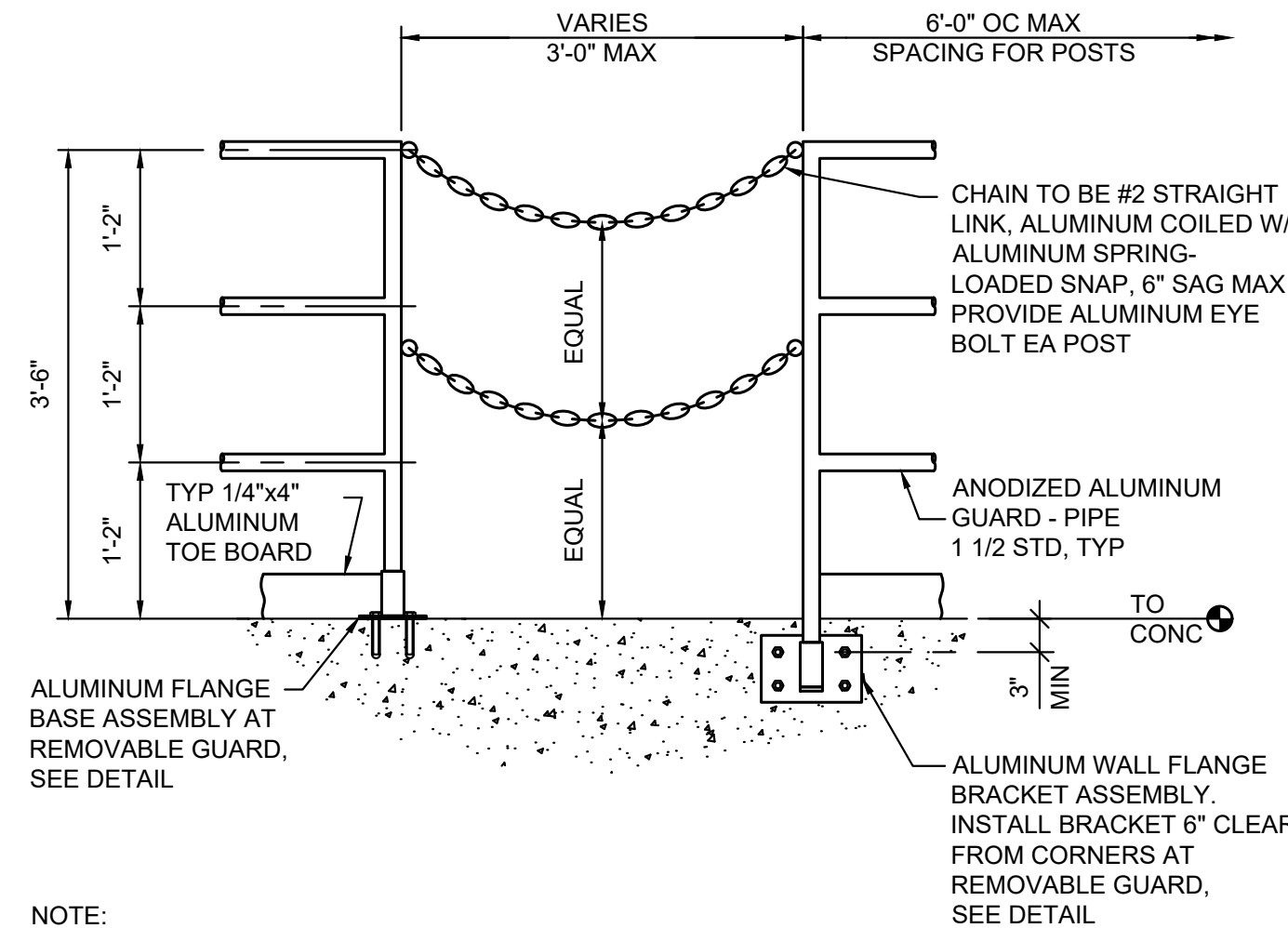
ERECTION AND FABRICATION IN ACCORDANCE WITH AISC "SPECIFICATION FOR STRUCTURAL STEEL BUILDINGS." WELDING SHALL CONFORM TO AWS "STRUCTURAL WELDING CODE - STEEL". ALL WELDING SHALL BE PERFORMED BY AWS/WABO CERTIFIED WELDERS.

ALL COLUMNS AND BEAMS TO BE FROM UNSPLICED LENGTHS U.N.O. ON THE DRAWINGS. SUBMIT SHOP DRAWINGS SHOWING SIZES, DIMENSIONS AND REQUIRED CONNECTION DETAILS FOR REVIEW BY THE ENGINEER PRIOR TO FABRICATION.

ALL STEEL SHALL BE HOT-DIP GALVANIZED IN ACCORDANCE WITH ASTM A123, UNO.

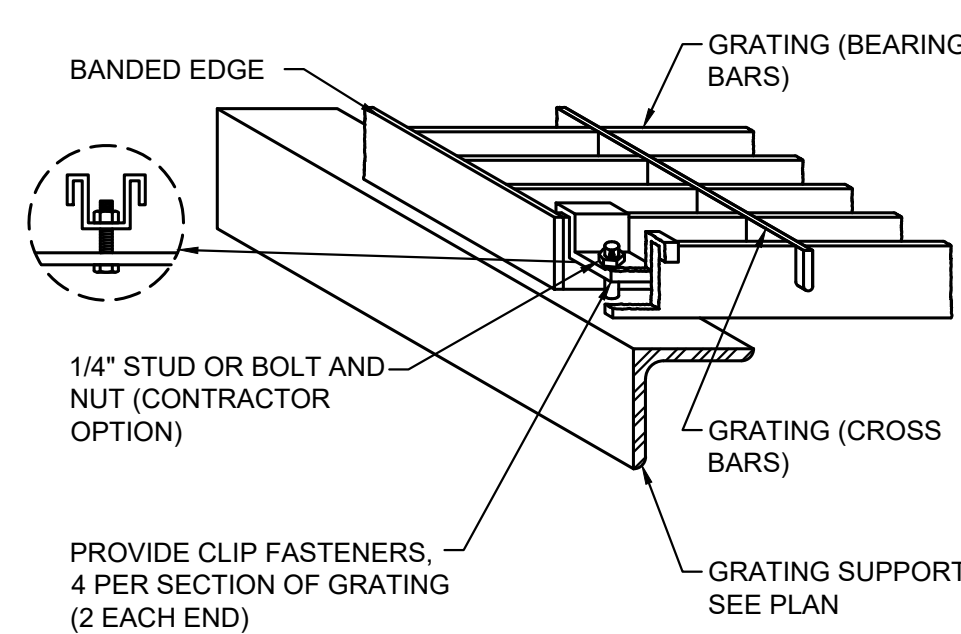
GRATING
 GRATING SHALL BE SERRATED 6063 STANDARD PER ASTM B221 ALUMINUM ALLOY. GRATING BAR SIZES AND SPACING, OVERALL DIMENSIONS, CUTOUTS FOR OBSTRUCTIONS AND DIRECTIONS OF BEARING BARS SHALL BE AS INDICATED ON THE PLANS. GRATING SHALL SAFELY SUSTAIN:
 UNIFORMLY DISTRIBUTED LOAD: 100 PSF
 MAXIMUM DEFLECTION: 1/4 INCH

GUARDRAIL
 HANDRAILS AND RAILINGS SHALL BE SATIN FINISH, ANODIZED 1 1/2" NOMINAL DIAMETER, SCHEDULE 40 EXTRUDED ALUMINUM TUBING CONFORMING TO ASTM B241, ALLOY 6063 WITH CONCEALED ALUMINUM SPIGOT SPLICE CONNECTORS AND FASTENERS COUNTERSUNK AND FLUSH. FASTENERS SHALL BE 316 STAINLESS STEEL. MAXIMUM POST SPACING SHALL BE 6'-0" ON CENTER. POST CONNECTIONS SHALL BE CAST ALUMINUM R & B WAGNER-INTERNA-RAIL OR APPROVED EQUAL. MOUNTING SHALL BE CAST ALUMINUM R & B WAGNER-INTERNA-RAIL DRIVE ON FLANGE OR APPROVED EQUAL. OTHER ACCEPTABLE MANUFACTURERS ARE GOLDEN RAILINGS, INC., OR ALUMAGUARD CORPORATION. GUARDRAIL MANUFACTURERS NOT LISTED ABOVE WILL NOT BE ACCEPTED.



NOTE:
 1. CONTRACTOR SHALL PROVIDE GUARD CONNECTIONS CAPABLE OF RESISTING REACTIONS DUE TO LATERAL LOADS AS REQ'D BY IBC.

1 TYP **GUARD MOUNTING DETAIL**
 SCALE: 3/4"=1'-0"



CLIP FASTENER
 SCALE: 3"=1'-0"

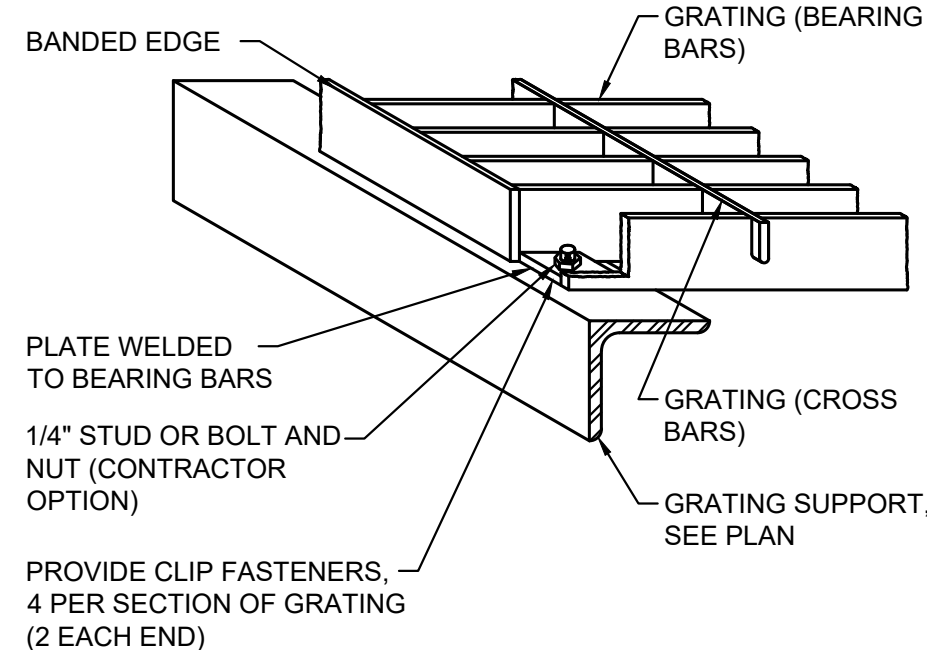
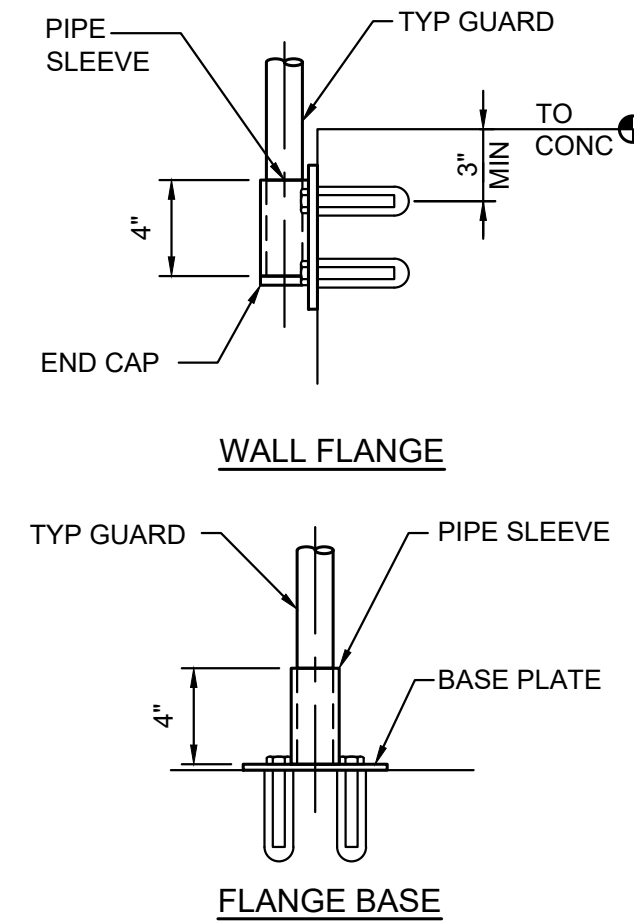


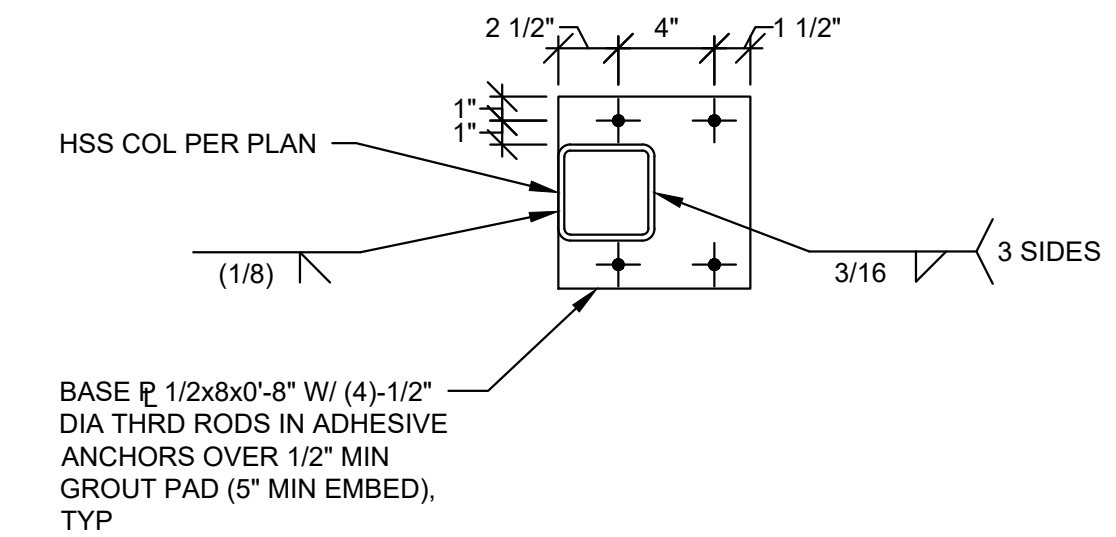
PLATE FASTENER (ALTERNATE OPTION)
 SCALE: 3"=1'-0"

2 TYP **GRATING CONNECTION DETAIL**
 SCALE: 3/4"=1'-0"

NOTES:
 1. NUMBER OF FASTENERS REQUIRED PER GRATING SECTION SHALL BE SPECIFIED BY THE GRATING MANUFACTURER, WITH A MINIMUM OF 2 FASTENERS EACH BEARING END PER SECTION.
 2. "PLATE FASTENER" CONNECTION SHALL BE OPTIONAL UNLESS NOTED OTHERWISE ON THE PLANS.
 3. MAX SPACING BETWEEN REMOVABLE SECTIONS SHALL BE 1".

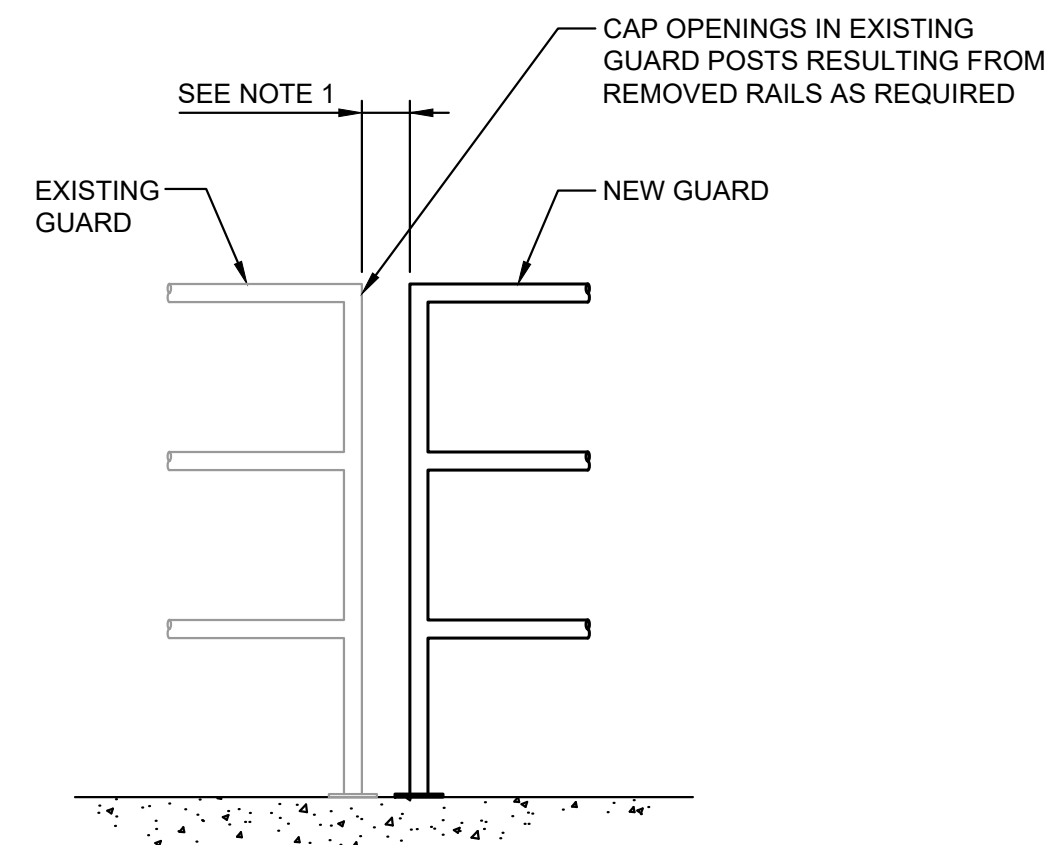


BASES AT REMOVABLE GUARDS



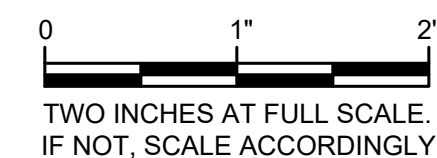
NOTE:
 1. ECCENTRIC BASE PLATE MAY BE SUBSTITUTED FOR TYPICAL BASE PLATE AS NEEDED TO FIT AROUND EXISTING ITEMS. VERIFY IN FIELD.

4 TYP **TYPICAL ECCENTRIC BASE PLATE DETAIL**
 SCALE: 1 1/2"=1'-0"



NOTES:
 1. FABRICATE NEW GUARD AS REQUIRED TO LIMIT HORIZONTAL GAP TO 4".
 2. SEE **1** FOR TYPICAL GUARD.

3 TYP **TRANSITION BETWEEN NEW & EXISTING GUARD**
 SCALE: 3/4"=1'-0"



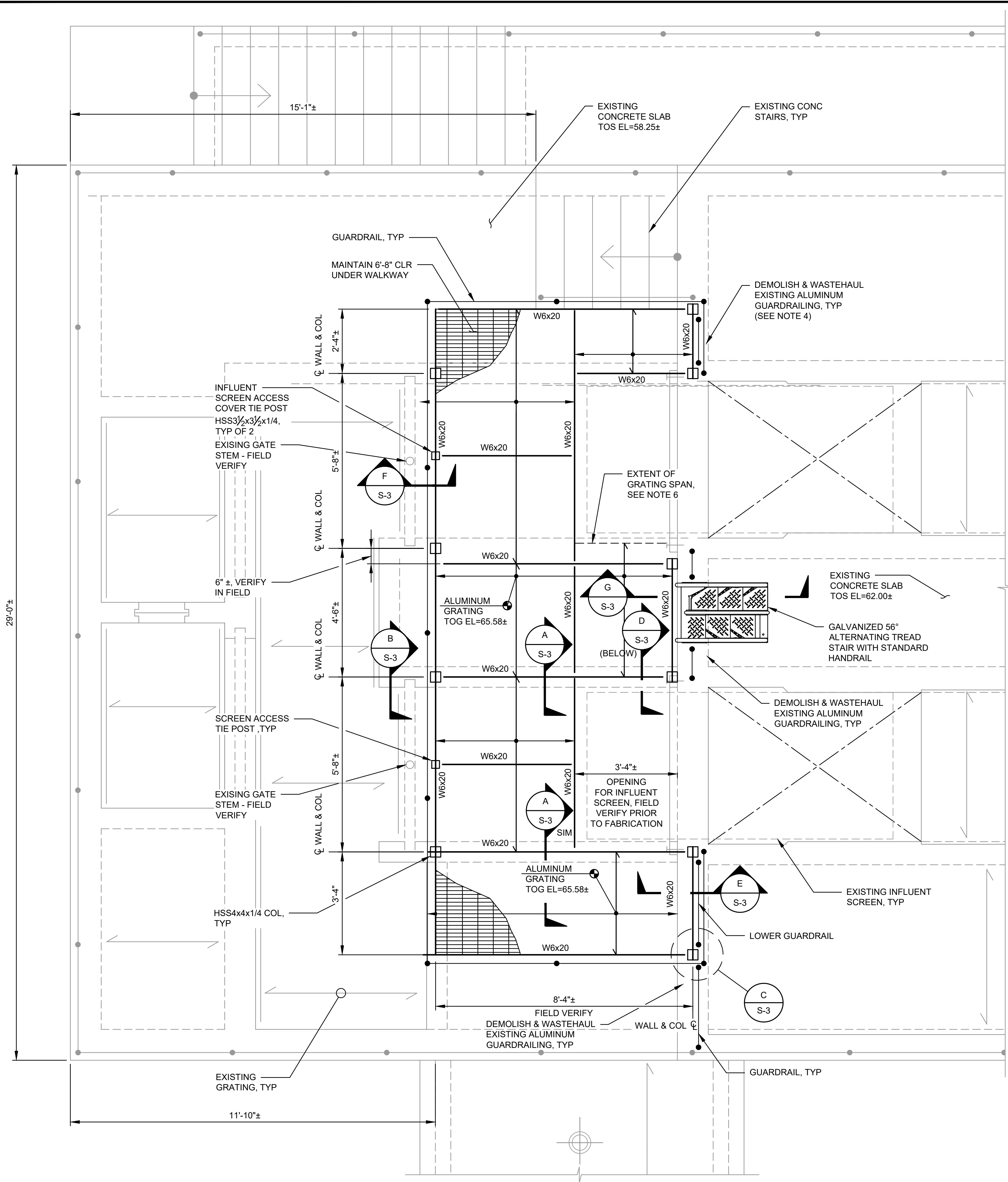
DATE:	JAN 2023	RAH	AO	MJB
DRAWN:				
CHECKED:				
APPROVED:				

NO.	REVISION	DATE	APPD



CITY OF SUMNER
 WASHINGTON
 PIERCE COUNTY
WWTP INFLUENT SCREEN ACCESS PLATFORM AND HEADWORKS NPW PIPING MODIFICATIONS
 GENERAL STRUCTURAL NOTES AND TYPICAL DETAILS

m:\Sumner\2021 on-call services\dryer and influent screen access platforms\Structural\IPS_HW_PLN.dwg, 1/5/2023 2:45 PM, CHARLEY REID



**INFLUENT PUMP STATION/HEADWORKS
PLATFORM FRAMING PLAN**

SCALE: 1/2"=1'-0"

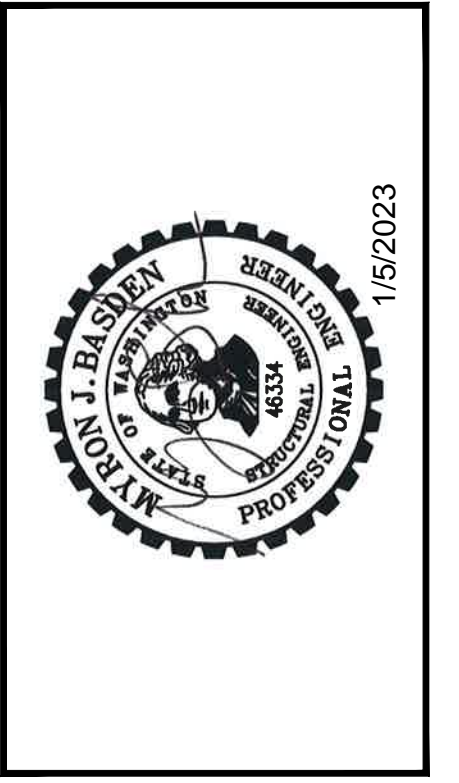
NOTES:

- SEE SHEET S-1 FOR GENERAL STRUCTURAL NOTES AND TYPICAL DETAILS.
- ALL EXISTING ITEMS AND DIMENSIONS SHOWN ARE BASED ON BEST AVAILABLE INFORMATION. GENERAL CONTRACTOR TO FIELD VERIFY EXISTING CONDITIONS PRIOR TO START OF CONSTRUCTION.
- ALUMINUM GRATING SHALL BE DESIGNATED 11-S-4, OR SIMILAR, WITH 1-1/2"x3/16" BEARING BARS SPACED AT 11/16" ON CENTER AND SHALL HAVE SERRATED SURFACE.
- EXPECTED TOTAL LINEAR FEET OF GUARDRAIL DEMOLITION IS APPROXIMATELY 10'-0". CAP OPENINGS IN EXISTING GUARD POSTS RESULTING FROM REMOVED RAILS AS REQUIRED.
- ALL STEEL SHALL BE GALVANIZED IN ACCORDANCE WITH ASTM A123, UNO.
- MAXIMUM GAP BETWEEN EDGE OF GRATING AND EQUIPMENT SHALL BE 1", TYP.

Gray & Osborne, Inc.
CONSULTING ENGINEERS
1130 RAINIER AVENUE SOUTH, SUITE 300
SEATTLE, WASHINGTON 98144 • (206) 964-0980

DATE:	JAN 2023	RAH	AO	MJB
DRAWN:				
CHECKED:				
APPROVED:				

NO.	REVISION	DATE	APPD

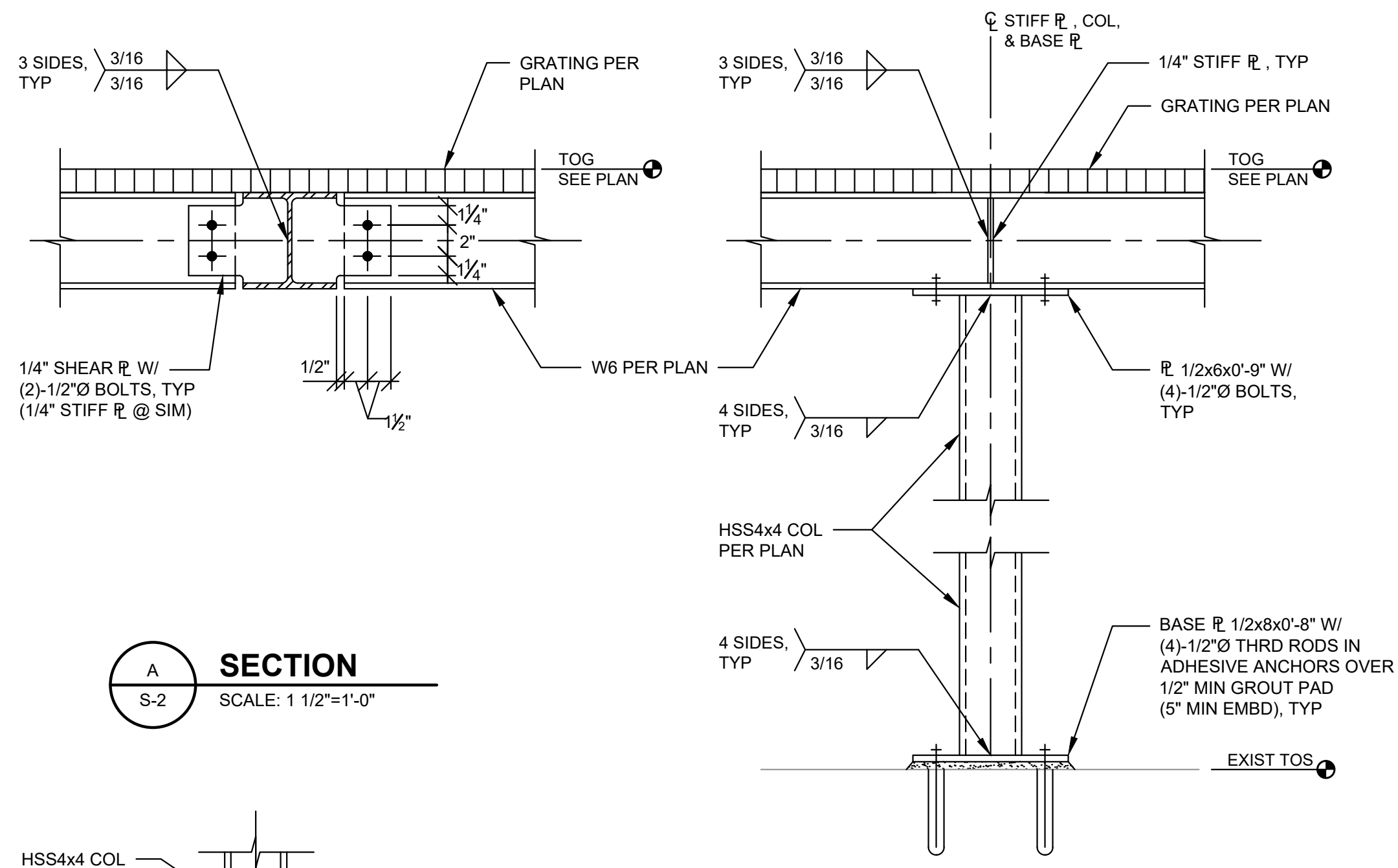


CITY OF SUMNER
PIERCE COUNTY WASHINGTON
**WWTP INFLUENT SCREEN ACCESS
PLATFORM AND HEADWORKS NPW
PIPING MODIFICATIONS**
INFLUENT PUMP STATION/HEADWORKS
PLATFORM FRAMING PLAN

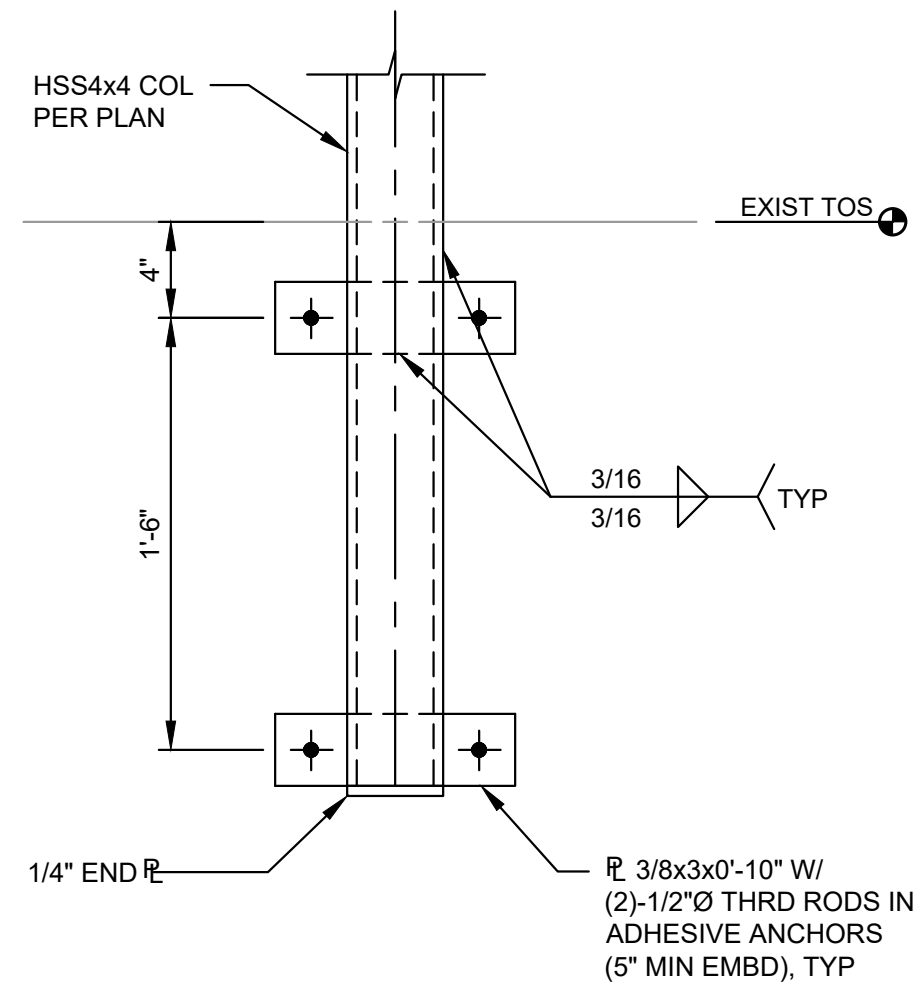
SHEET:	S-2
OF:	3
JOB NO.:	21514.04
DWG S_IPS_HW_PLN	



m:\Sumner\2021 on-call services\dryer and influent screen access platforms\Structural\IPS_HW_PLN.dwg, 1/5/2023 2:45 PM, CHARLEY REID

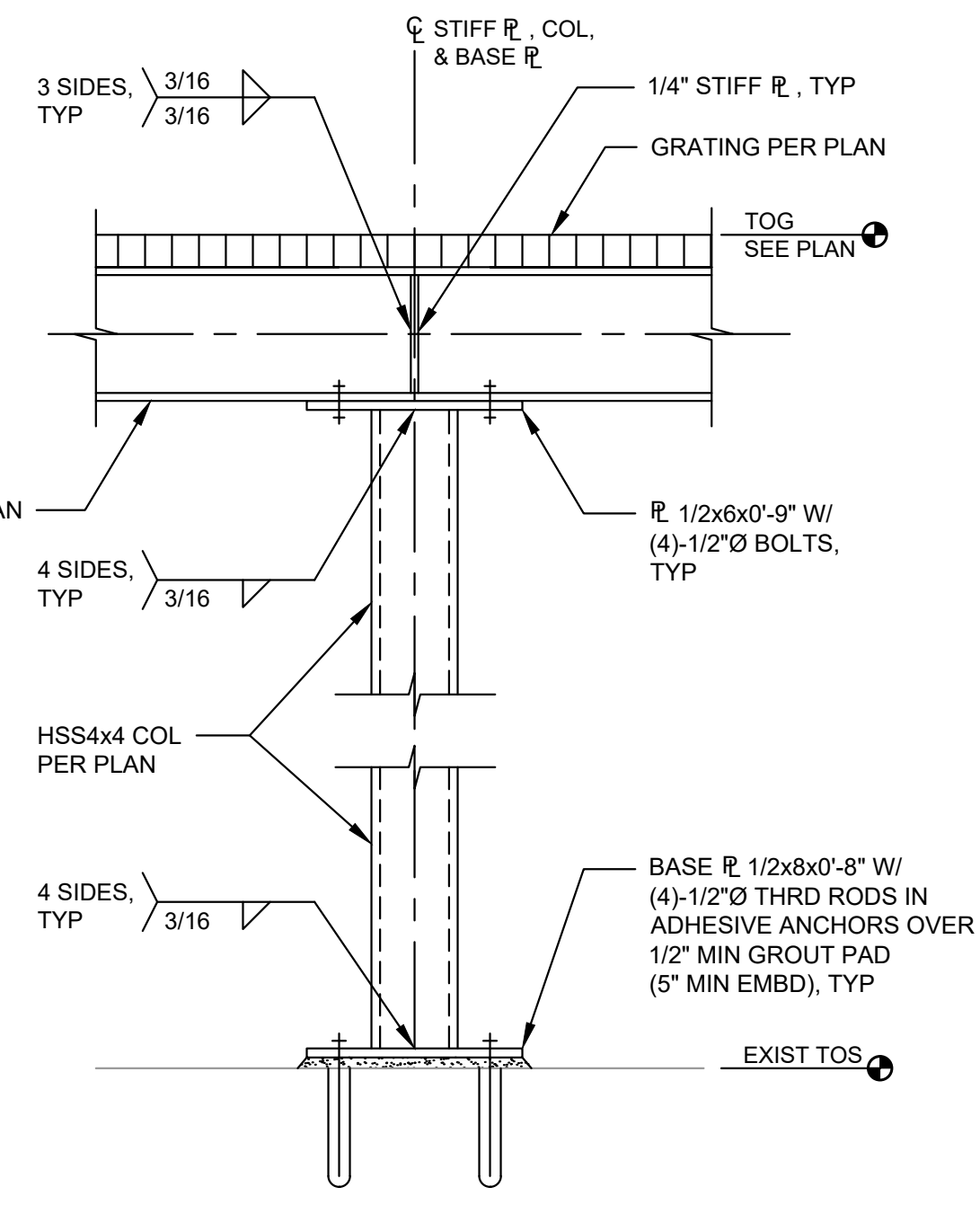


A SECTION
S-2 SCALE: 1 1/2"=1'-0"

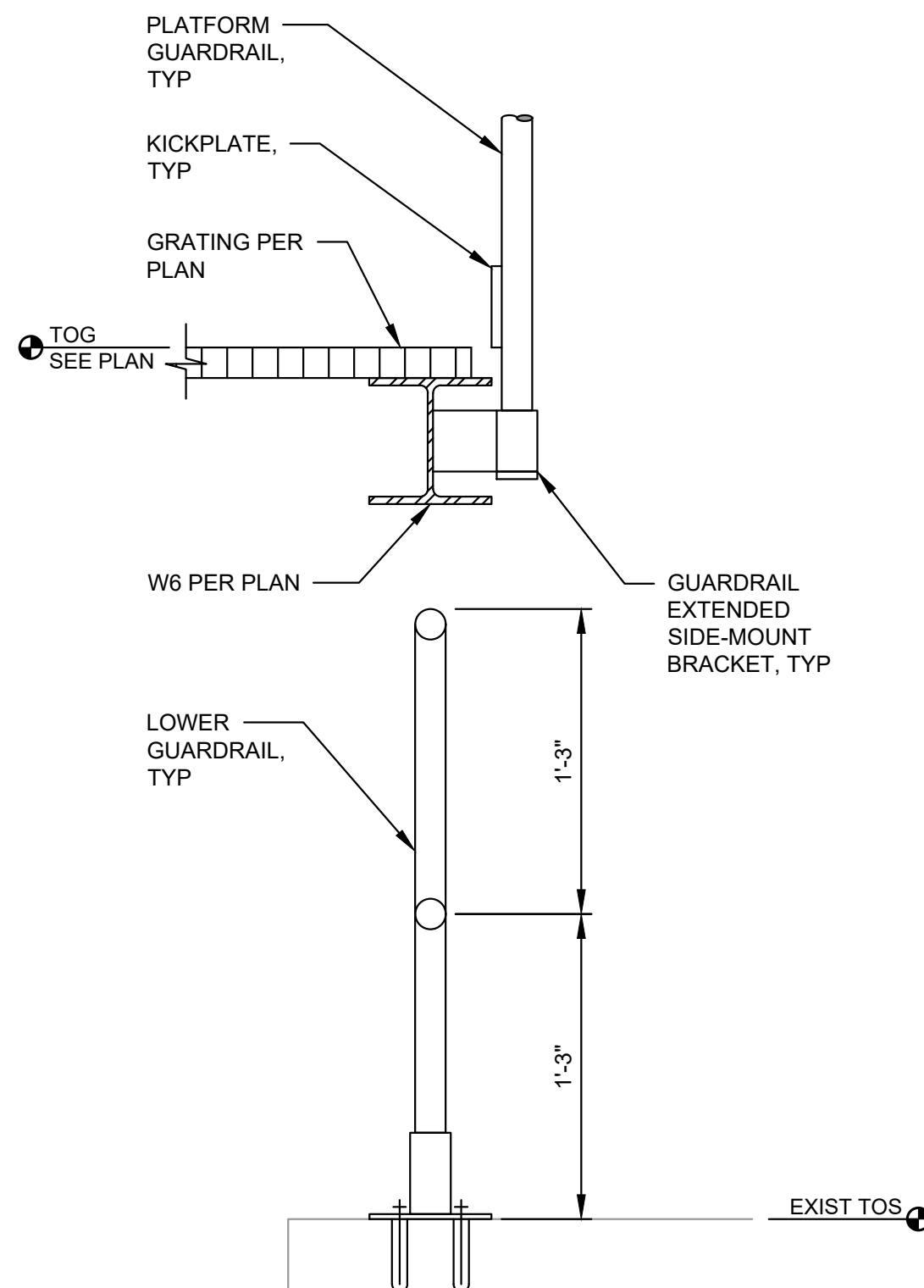


D SECTION
S-2 SCALE: 1 1/2"=1'-0"

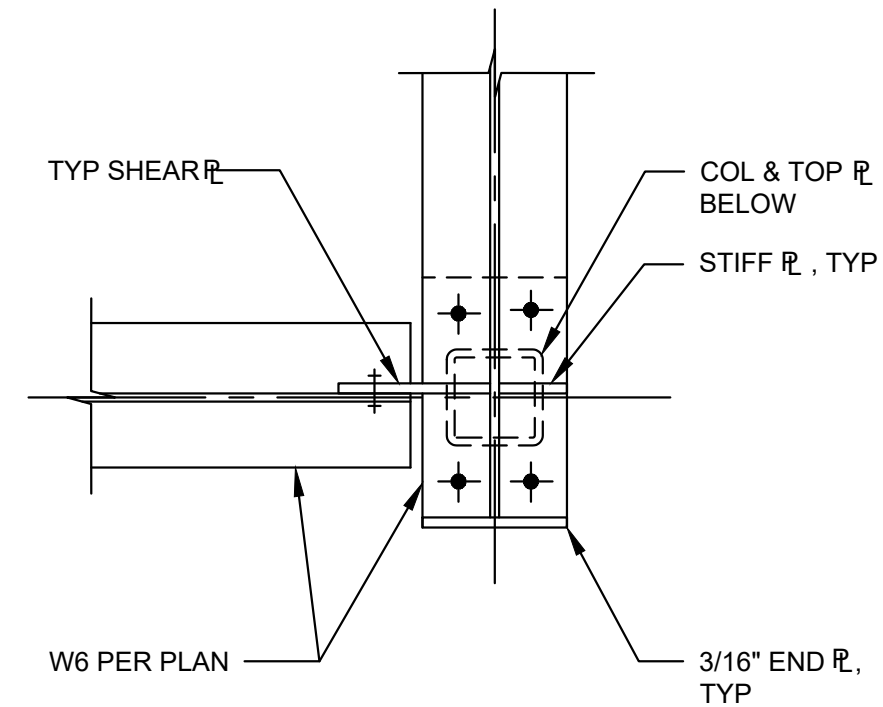
NOTE:
1. GENERAL CONTRACTOR TO FIELD VERIFY ALL EXISTING CONDITIONS PRIOR TO FABRICATION. ANY CONFLICTS SHALL BE BROUGHT TO THE ATTENTION OF THE ENGINEER IMMEDIATELY.



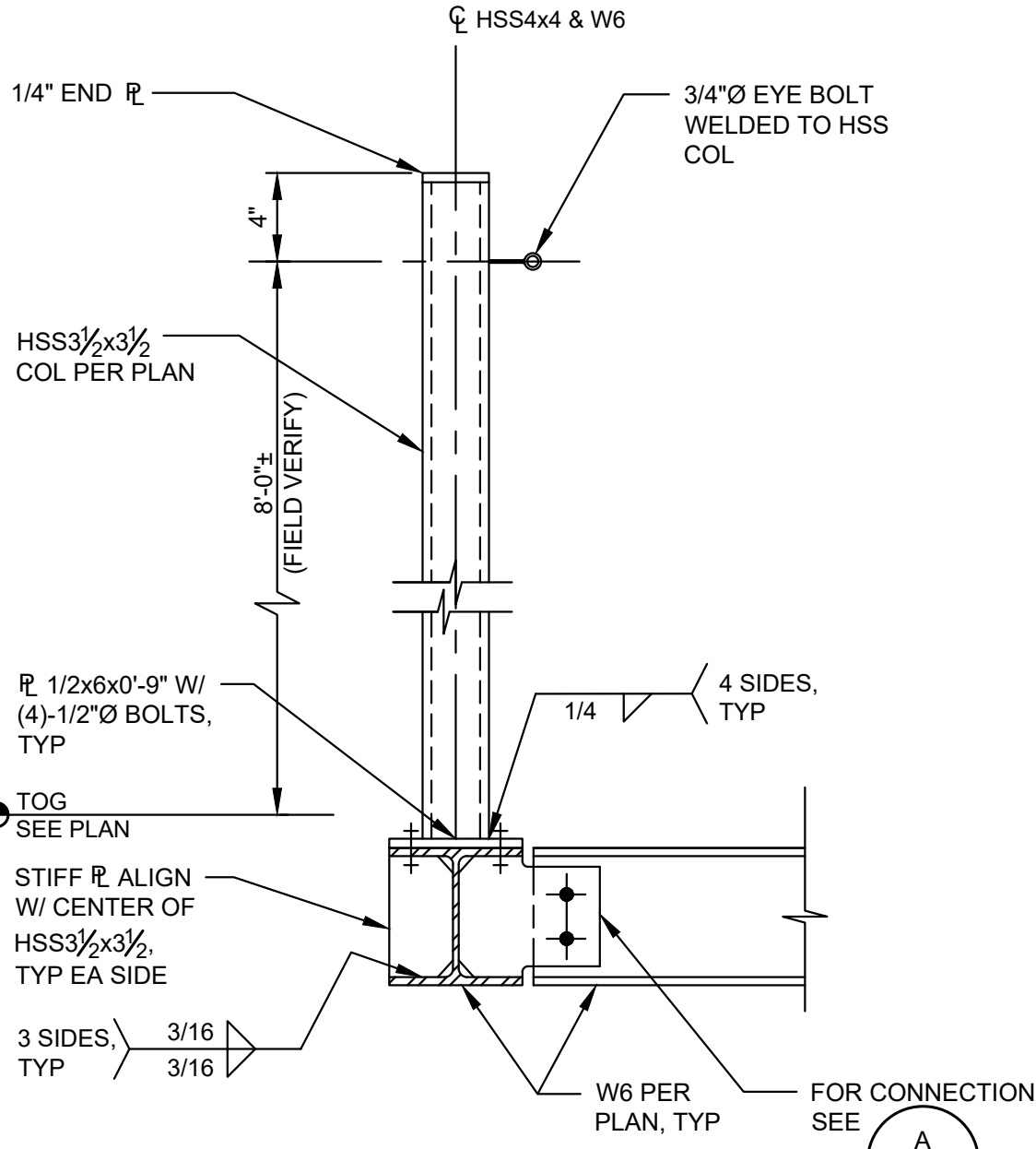
B SECTION
S-2 SCALE: 1 1/2"=1'-0"



E SECTION
S-2 SCALE: 1 1/2"=1'-0"

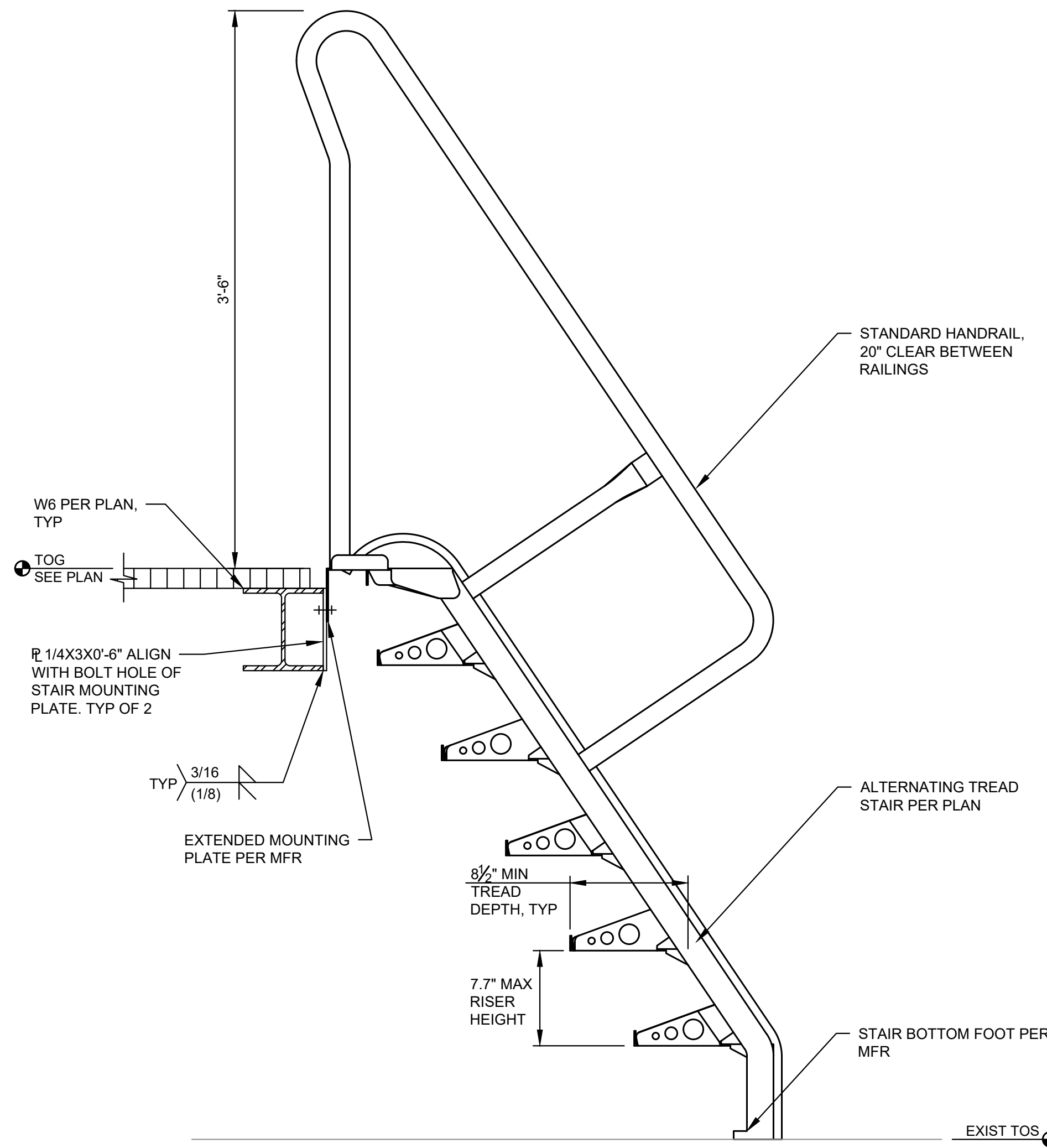


C PLAN DETAIL
S-2 SCALE: 1 1/2"=1'-0"



F SECTION
S-2 SCALE: 1 1/2"=1'-0"

NOTE:
1. GUARDRAIL AND GRATING NOT SHOWN FOR CLARITY.



G SECTION
S-2 SCALE: 1 1/2"=1'-0"

NOTES:
1. GENERAL CONTRACTOR TO FIELD VERIFY EXISTING ELEVATIONS AND CONDITIONS AND COORDINATE WITH ALTERNATING TREAD STAIR MANUFACTURER PRIOR TO CONSTRUCTION.
2. ALTERNATING TREAD STAIR SHALL HAVE HOT-DIP GALVANIZED FINISH.
3. ALTERNATING TREAD STAIR SHALL BE BY LAPEYRE STAIR, OR EQUAL.

DATE: JAN 2023	DRAWN: RAH	CHECKED: AQ	APPROVED: MUB
----------------	------------	-------------	---------------

NO.	REVISION	DATE	APPD

