

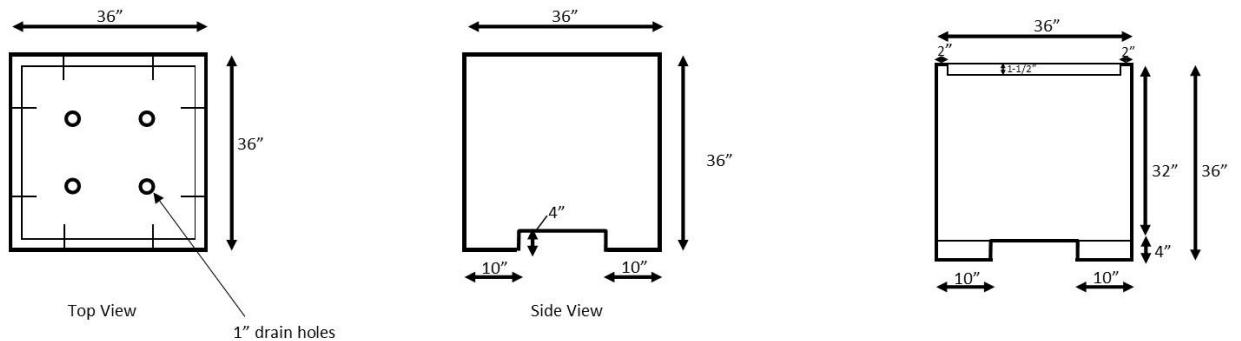
## Exhibit A – Bid Item Description

### Main Street Planters

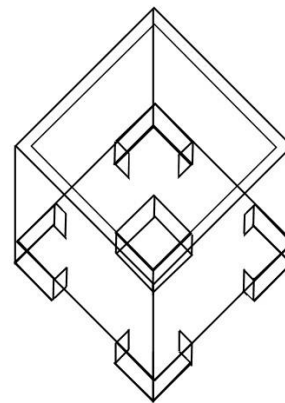
Payment for this item shall be completed per lump sum. The price shall include all labor, tools, equipment, and materials to perform the work depicted in the contract documents, drawings, and specifications.

#### 1. Planters:

Payment for this bid item shall be lump sum. This per lump sum price shall include but is not limited to: full compensation for all labor, materials, tools and equipment necessary to confirm design, fabricating and delivering planters for Sumner's Main Street Tree Replacement project. Planters will be fabricated using .190" mild steel with boiled linseed oil finish, with supporting gussets, full base and fork pockets.



.190" A36 mild steel with boiled linseed oil finish, with supporting gussets, full base and fork pockets



Isometric View

Drawings are not to scale